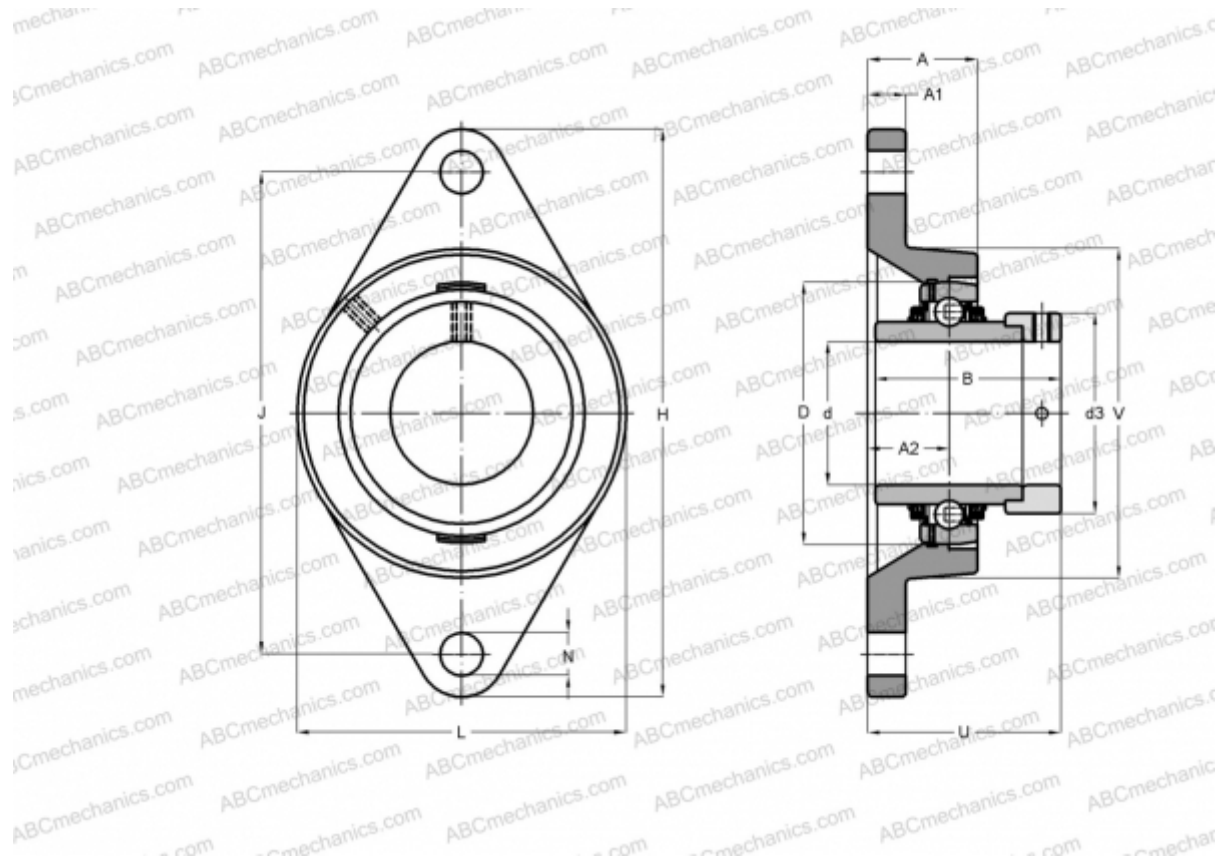


## TCJT40-N INA

Ball bearing units

TYPE: Housing units, Two-bolt flanged housing units, Cast iron housing, Radial insert ball bearing with eccentric locking collar, Type TCJT (INA)



### Technical specification

#### DIMENSIONS, MM

|    |         |
|----|---------|
| d  | 40,000  |
| D  | 80,000  |
| B  | 56,500  |
| L  | 105,000 |
| H  | 172,000 |
| A  | 34,500  |
| J  | 143,500 |
| A1 | 13,000  |
| A2 | 24,000  |
| N  | 14,000  |
| d3 | 58,000  |
| U  | 59,100  |
| V  | 105,000 |
| Q  | Rp1/8   |

#### WEIGHT, KG

|                  |            |
|------------------|------------|
|                  | 1,700      |
| Bearing          | GE40-KTT-B |
| Housing          | GG.CJT08-N |
| Protective cover | KASK08     |

#### MANUFACTURER

[INA](#)

#### CALCULATION DATA

|                              |           |
|------------------------------|-----------|
| Basic dynamic load rating, C | 32,500 kN |
| Basic static load rating, Co | 19,800 kN |