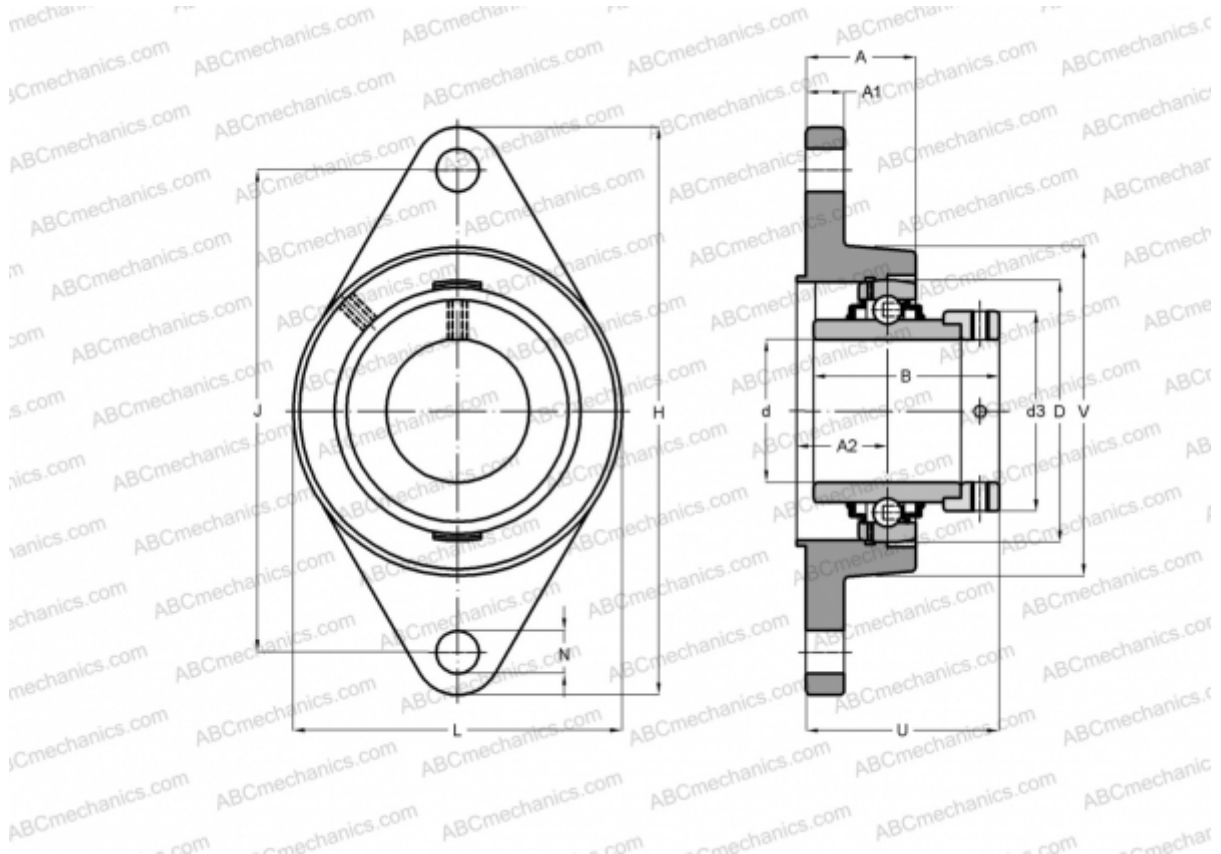


## RCJTZ20 INA

Ball bearing units

TYPE: Housing units, Two-bolt flanged housing units, Cast iron housing, Radial insert ball bearing with eccentric locking collar, Centring spigot, type RCJTZ (INA)



### Technical specification

#### DIMENSIONS, MM

d	20,000
D	47,000
B	43,700
L	60,500
H	112,500
A	31,700
J	43,700
A1	10,000
A2	19,000
N	11,500
d3	33,000
U	45,600
V	60,500
Q	Rp1/8

#### WEIGHT, KG

Bearing	0,530
Housing	GE20-KRR-B GG.CJTZ04

#### MANUFACTURER

[INA](#)

#### CALCULATION DATA

Basic dynamic load rating, C	12,800 kN
Basic static load rating, Co	6,500 kN