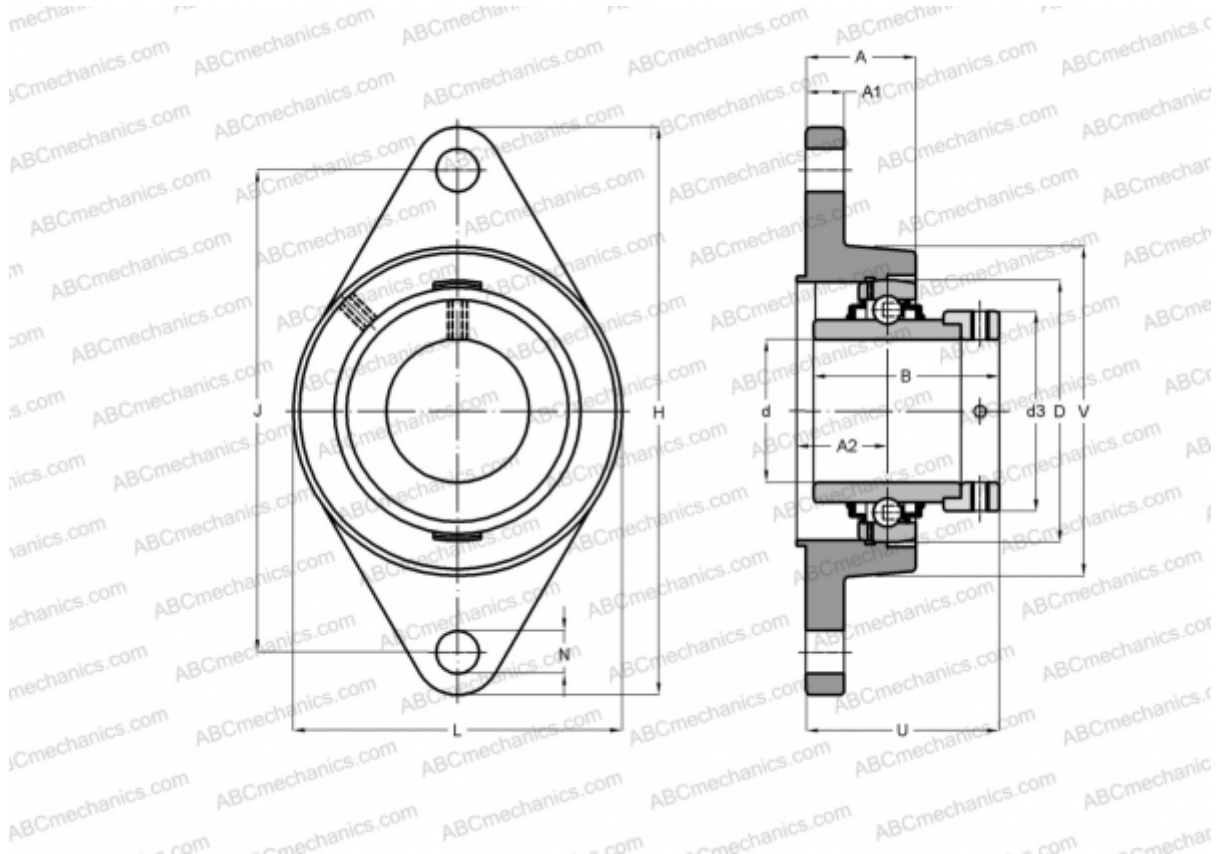


RCJTZ25 INA

Ball bearing units

TYPE: Housing units, Two-bolt flanged housing units, Cast iron housing, Radial insert ball bearing with eccentric locking collar, Centring spigot, type RCJTZ (INA)



Technical specification

DIMENSIONS, MM

d	25,000
D	52,000
B	44,500
L	70,000
H	124,000
A	26,500
J	44,500
A1	12,000
A2	19,000
N	11,500
d3	37,500
U	45,900
V	70,000
Q	Rp1/8

WEIGHT, KG

Bearing	0,640
Housing	GE25-KRR-B GG.CJTZ05

MANUFACTURER

[INA](#)

CALCULATION DATA

Basic dynamic load rating, C	14,000 kN
Basic static load rating, Co	7,800 kN