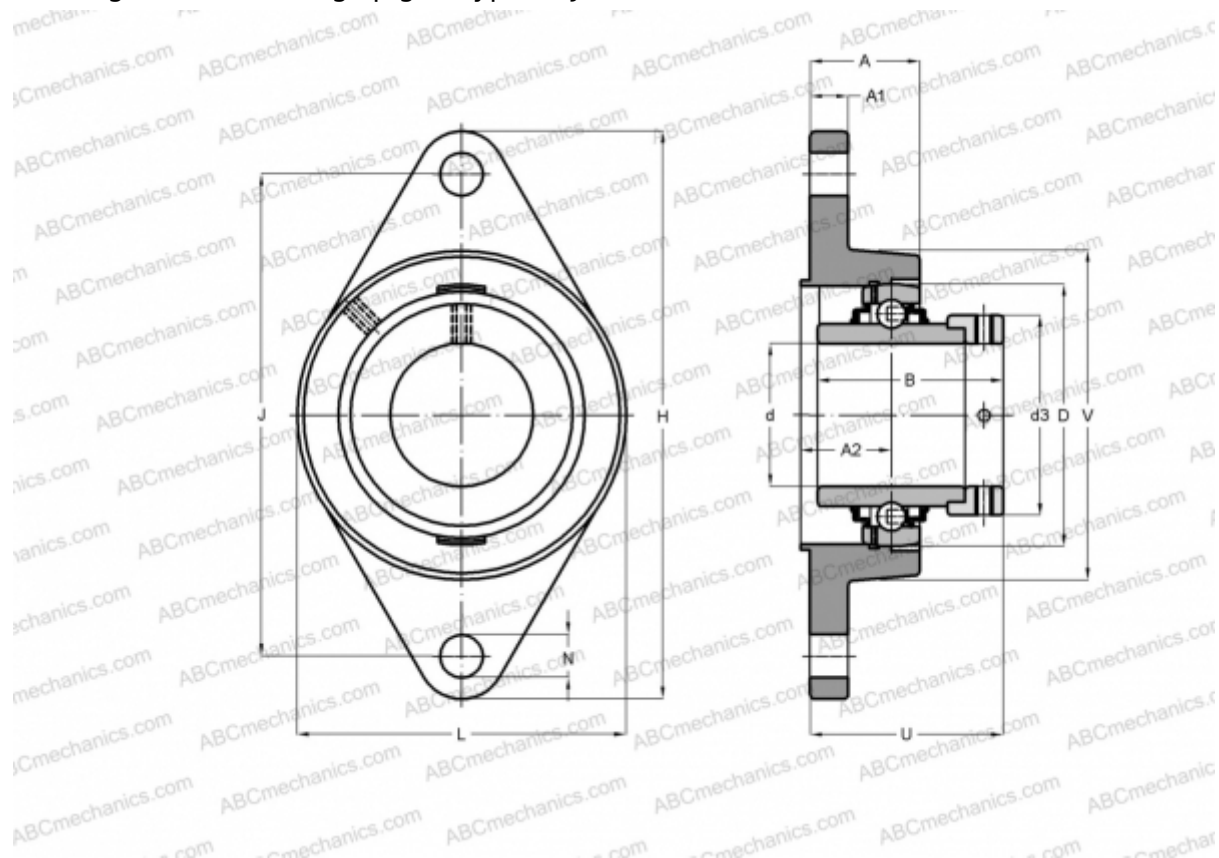


RCJTZ40 INA

Ball bearing units

TYPE: Housing units, Two-bolt flanged housing units, Cast iron housing, Radial insert ball bearing with eccentric locking collar, Centring spigot, type RCJTZ (INA)



Technical specification

DIMENSIONS, MM

d	40,000
D	80,000
B	56,500
L	105,000
H	172,000
A	30,500
J	56,500
A1	13,000
A2	20,000
N	14,000
d3	58,000
U	54,900
V	105,000
Q	Rp1/8

WEIGHT, KG

1,600

Bearing	GE40-KRR-B
Housing	GG.CJTZ08

MANUFACTURER

[INA](#)

CALCULATION DATA

Basic dynamic load rating, C	32,500 kN
Basic static load rating, Co	19,800 kN