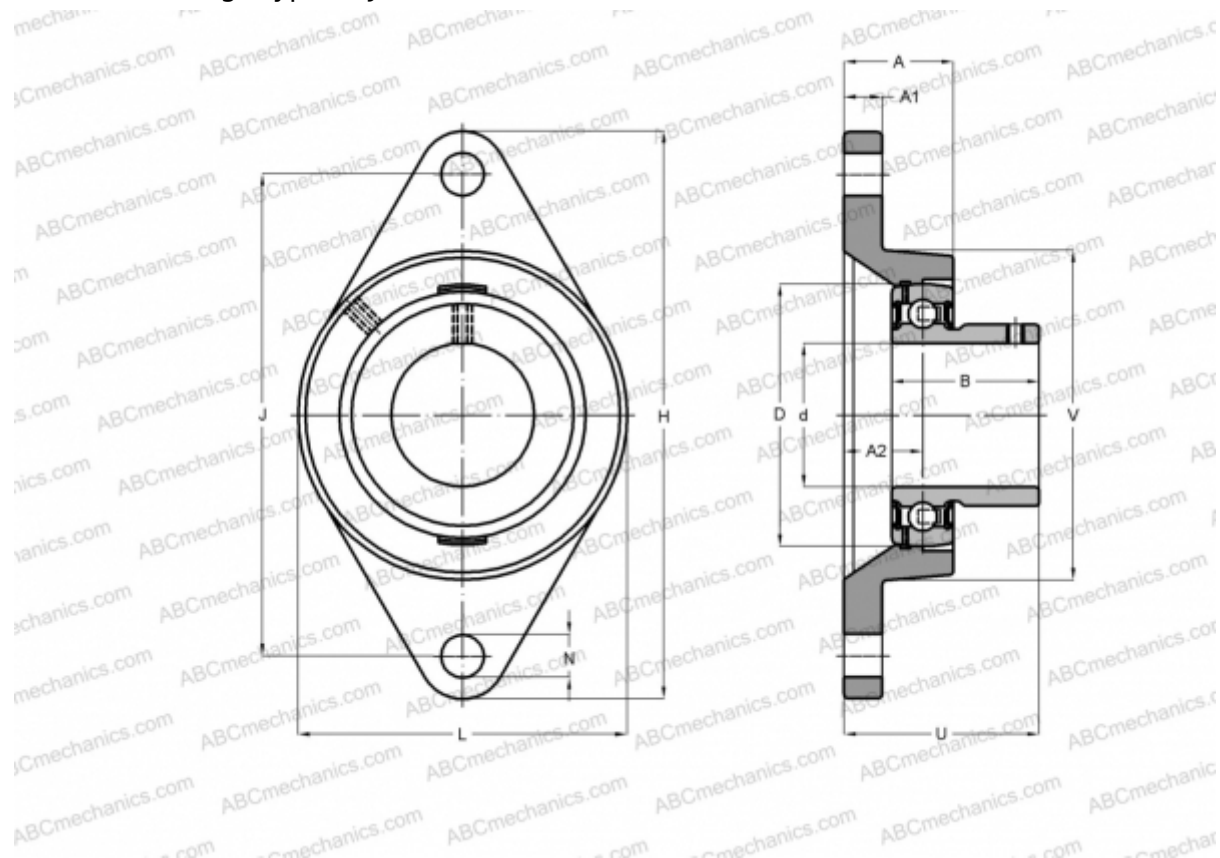


PCJTY15 INA

Ball bearing units

TYPE: Housing units, Two-bolt flanged housing units, Cast iron housing, Radial insert ball bearing with grub screws in inner ring, Type PCJTY (INA)



Technical specification

DIMENSIONS, MM

d	15,000
D	40,000
B	22,000
L	57,000
H	99,000
A	25,000
J	76,500
A1	9,500
A2	17,000
N	11,500
U	33,000
V	57,000
Q	M6

WEIGHT, KG 0,340

Bearing	GAY15-NPP-B
Housing	GG.CFT03

MANUFACTURER

[INA](#)

CALCULATION DATA

Basic dynamic load rating, C	9,800 kN
Basic static load rating, Co	4,750 kN