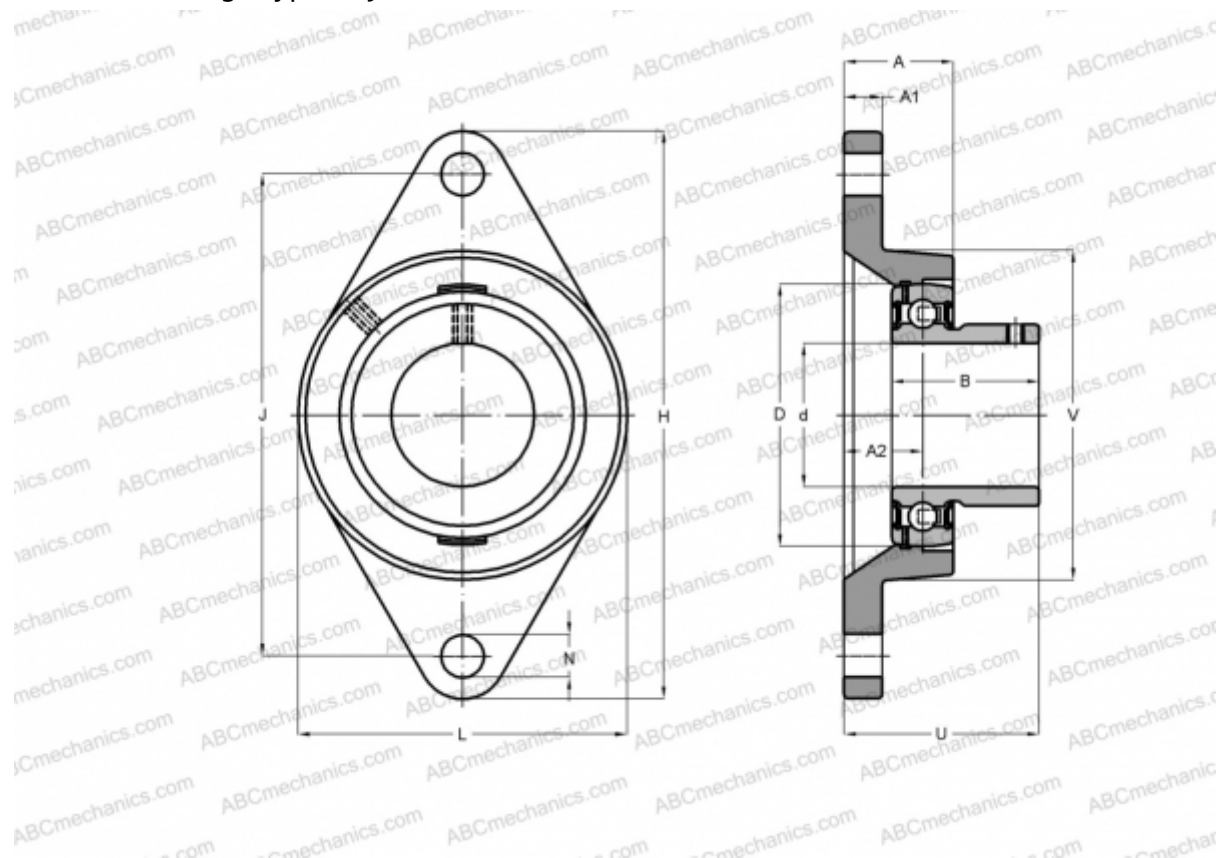


PCJTY30-N INA

Ball bearing units

TYPE: Housing units, Two-bolt flanged housing units, Cast iron housing, Radial insert ball bearing with grub screws in inner ring, Type PCJTY (INA)



Technical specification

DIMENSIONS, MM

d	30,000
D	62,000
B	30,000
L	80,000
H	142,000
A	29,000
J	116,500
A1	12,000
A2	20,000
N	11,500
U	41,000
V	80,000
Q	Rp1/8

WEIGHT, KG 0,770

Bearing	GAY30-NPP-B
Housing	GG.CJT06-N
Protective cover	KASK06

MANUFACTURER

[INA](#)

CALCULATION DATA

Basic dynamic load rating, C	19,500 kN
Basic static load rating, Co	11,300 kN