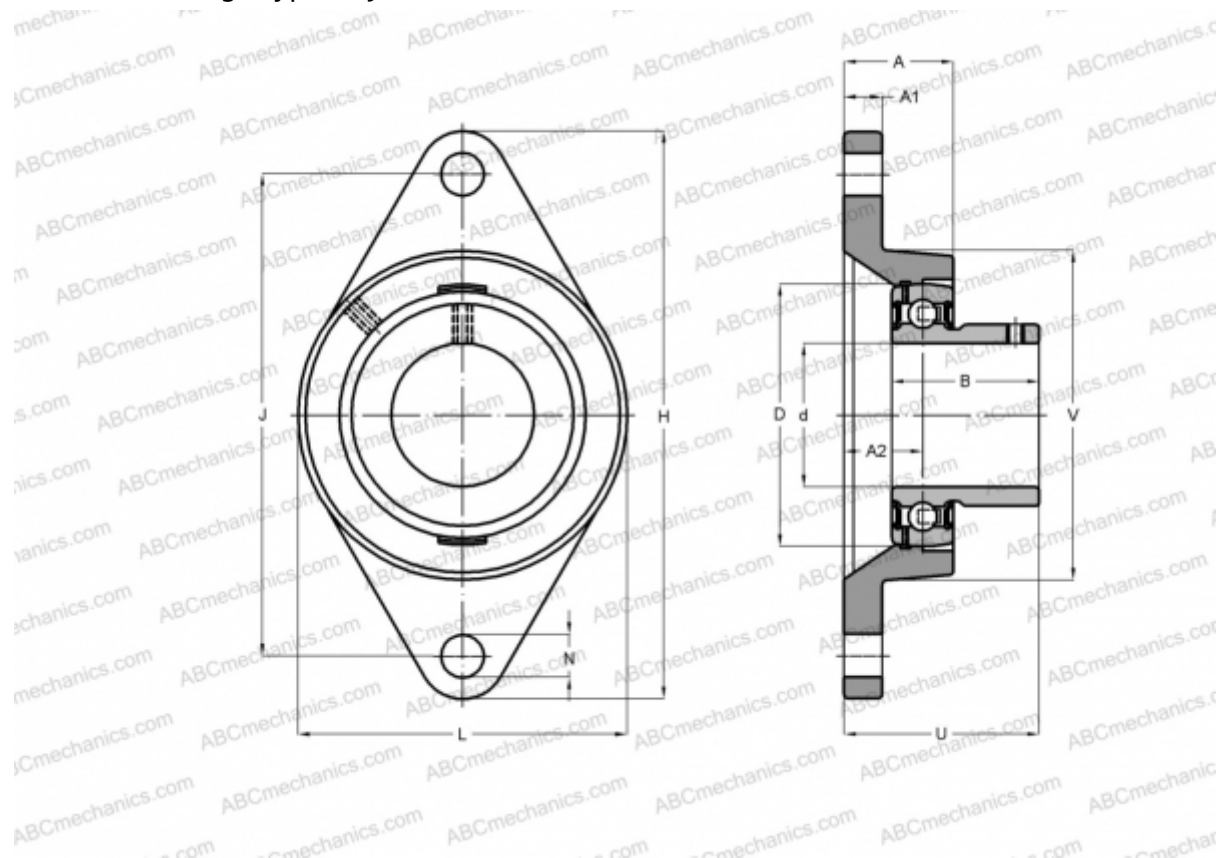


PCJTY40-N INA

Ball bearing units

TYPE: Housing units, Two-bolt flanged housing units, Cast iron housing, Radial insert ball bearing with grub screws in inner ring, Type PCJTY (INA)



Technical specification

DIMENSIONS, MM

d	40,000
D	80,000
B	39,450
L	105,000
H	172,000
A	34,500
J	143,500
A1	13,000
A2	24,000
N	14,000
U	52,950
V	105,000
Q	Rp1/8

Bearing	GAY40-NPP-B
Housing	GG.CJT08-N
Protective cover	KASK08

MANUFACTURER

[INA](#)

CALCULATION DATA

Basic dynamic load rating, C	32,500 kN
Basic static load rating, Co	19,800 kN

WEIGHT, KG 1,480