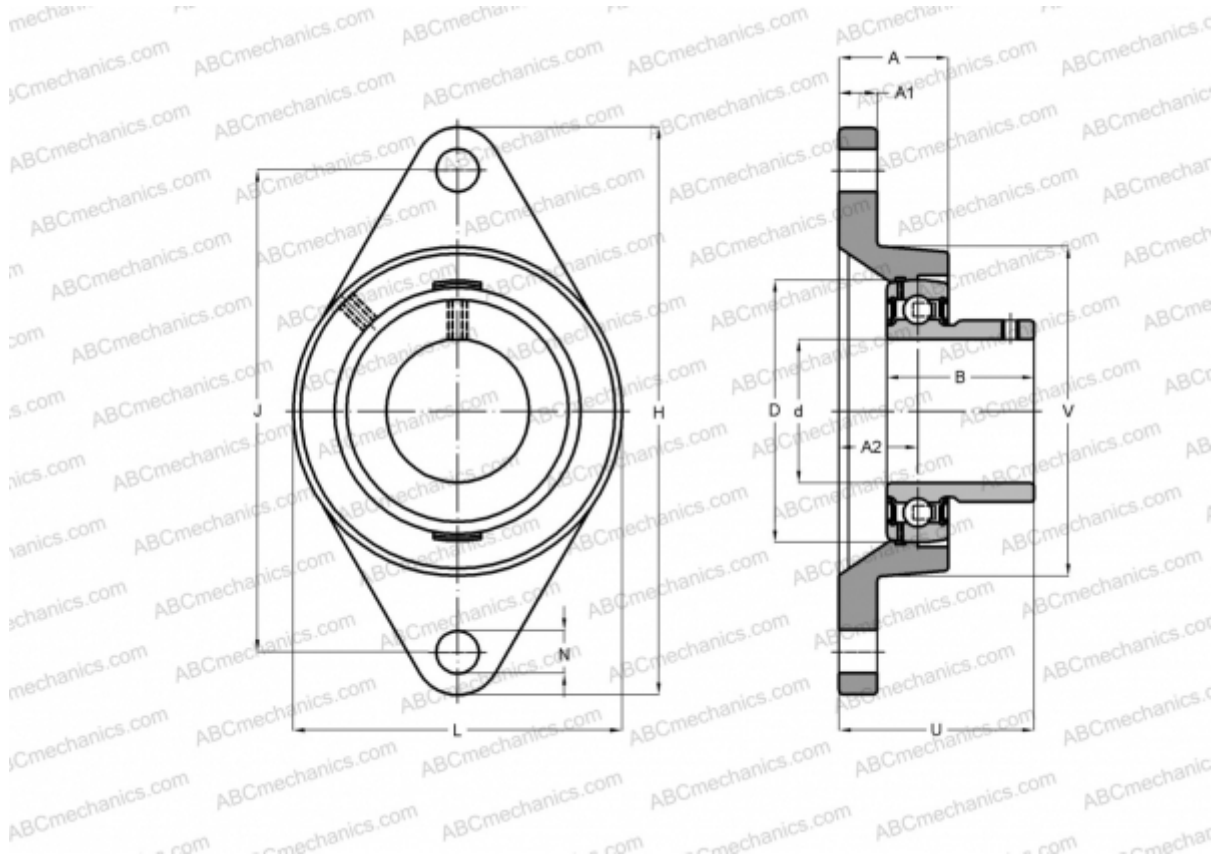


## PCJTY50-N INA

Ball bearing units

TYPE: Housing units, Two-bolt flanged housing units, Cast iron housing, Radial insert ball bearing with grub screws in inner ring, Type PCJTY (INA)



### Technical specification

#### DIMENSIONS, MM

d	50,000
D	90,000
B	43,000
L	116,000
H	190,000
A	39,000
J	157,000
A1	13,000
A2	28,000
N	18,000
U	60,000
V	116,000
Q	Rp1/8

Bearing	GAY50-NPP-B
Housing	GG.CJT10-N
Protective cover	KASK10

#### MANUFACTURER

[INA](#)

#### CALCULATION DATA

Basic dynamic load rating, C	35,000 kN
Basic static load rating, Co	23,200 kN

**WEIGHT, KG** 1,820