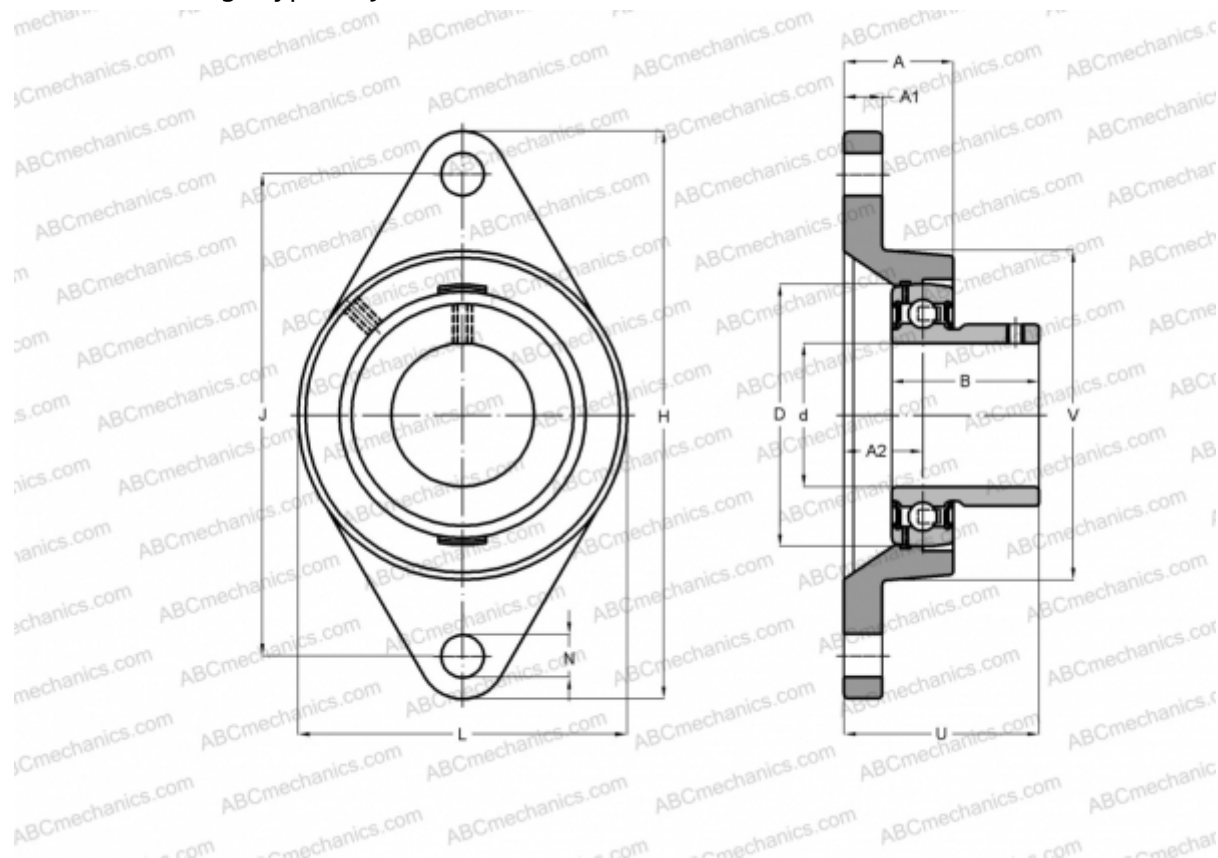


RCJTY35-N INA

Ball bearing units

TYPE: Housing units, Two-bolt flanged housing units, Cast iron housing, Radial insert ball bearing with grub screws in inner ring, Type RCJTY (INA)



Technical specification

DIMENSIONS, MM

d	35,000
D	72,000
B	42,900
L	92,000
H	155,000
A	30,500
J	130,000
A1	12,500
A2	21,000
N	14,000
U	46,400
V	92,000
Q	Rp1/8

WEIGHT, KG 1,130

Bearing	GYE35-KRR-B
Housing	GG.CJT07-N
Protective cover	KASK07

MANUFACTURER

[INA](#)

CALCULATION DATA

Basic dynamic load rating, C	25,500 kN
Basic static load rating, Co	15,300 kN