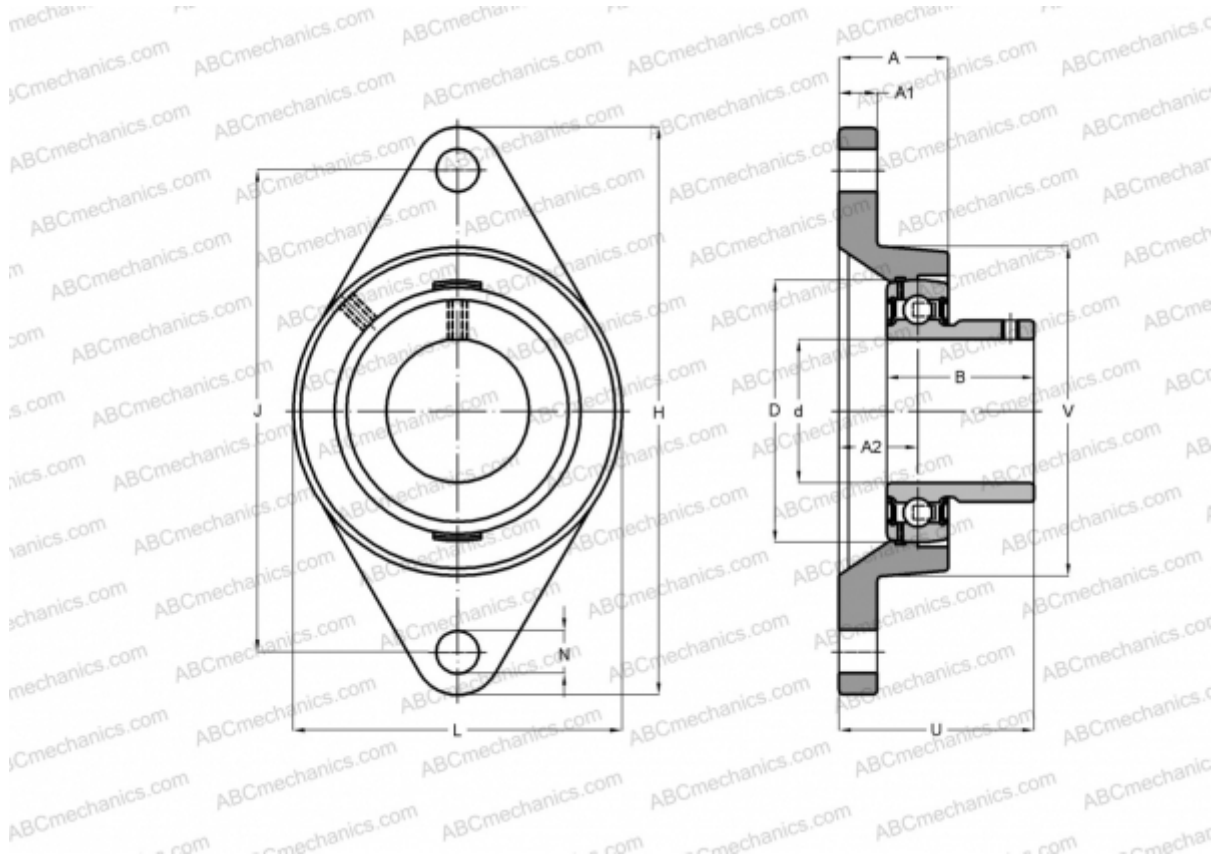


RCJTY55 INA

Ball bearing units

TYPE: Housing units, Two-bolt flanged housing units, Cast iron housing, Radial insert ball bearing with grub screws in inner ring, Type RCJTY (INA)



Technical specification

DIMENSIONS, MM

d	55,000
D	100,000
B	55,600
L	134,000
H	222,000
A	43,500
J	184,000
A1	15,000
A2	31,000
N	18,000
U	64,400
V	134,000
Q	Rp1/8

Bearing	GYE55-KRR-B
Housing	GG.CJT11

MANUFACTURER

[INA](#)

CALCULATION DATA

Basic dynamic load rating, C	43,500 kN
Basic static load rating, Co	29,000 kN

WEIGHT, KG 2,860