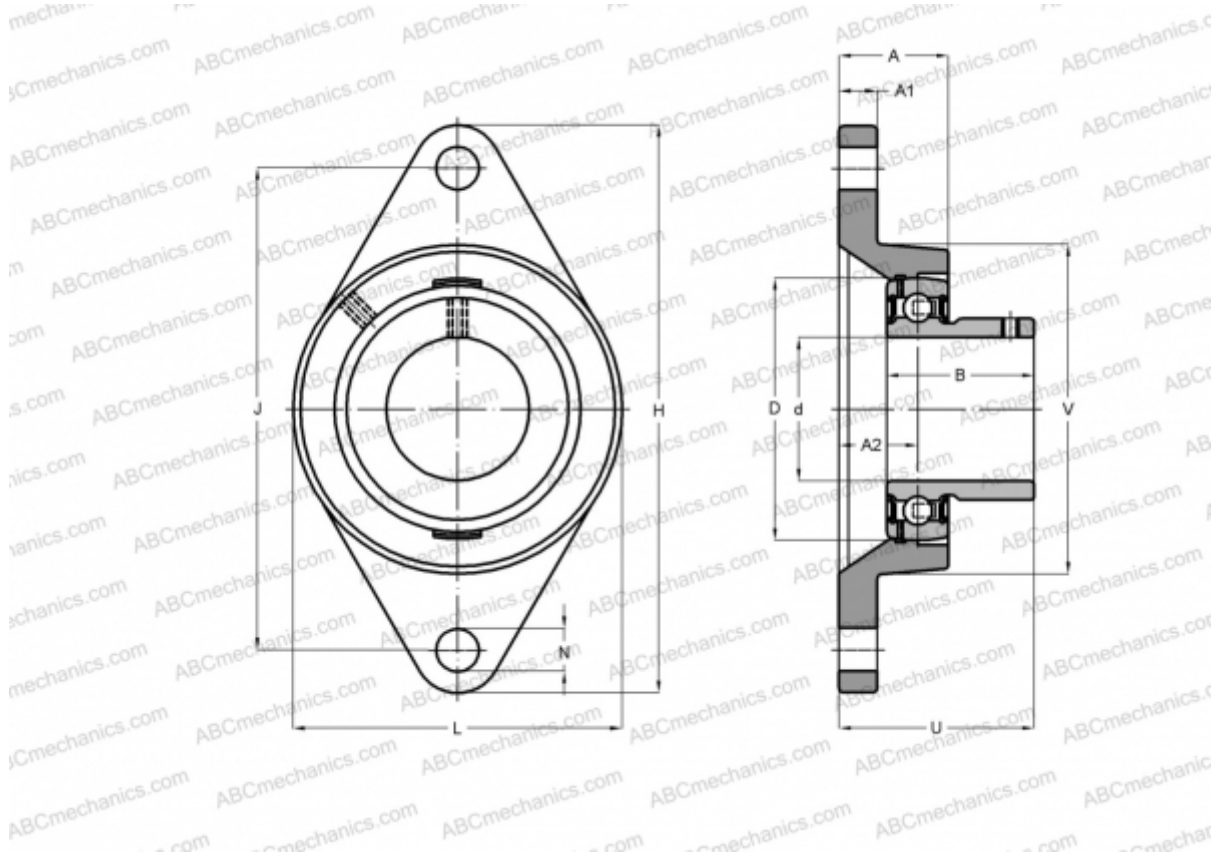


## RCJTY60-N INA

Ball bearing units

TYPE: Housing units, Two-bolt flanged housing units, Cast iron housing, Radial insert ball bearing with grub screws in inner ring, Type RCJTY (INA)



### Technical specification

#### DIMENSIONS, MM

|    |         |
|----|---------|
| d  | 60,000  |
| D  | 110,000 |
| B  | 65,100  |
| L  | 138,000 |
| H  | 238,000 |
| A  | 46,000  |
| J  | 202,000 |
| A1 | 16,000  |
| A2 | 34,000  |
| N  | 18,000  |
| U  | 73,700  |
| V  | 138,000 |
| Q  | Rp1/8   |

#### WEIGHT, KG

3,460

|                  |             |
|------------------|-------------|
| Bearing          | GYE60-KRR-B |
| Housing          | GG.CJT12-N  |
| Protective cover | KASK12      |

#### MANUFACTURER

[INA](#)

#### CALCULATION DATA

|                              |           |
|------------------------------|-----------|
| Basic dynamic load rating, C | 52,000 kN |
| Basic static load rating, Co | 36,000 kN |