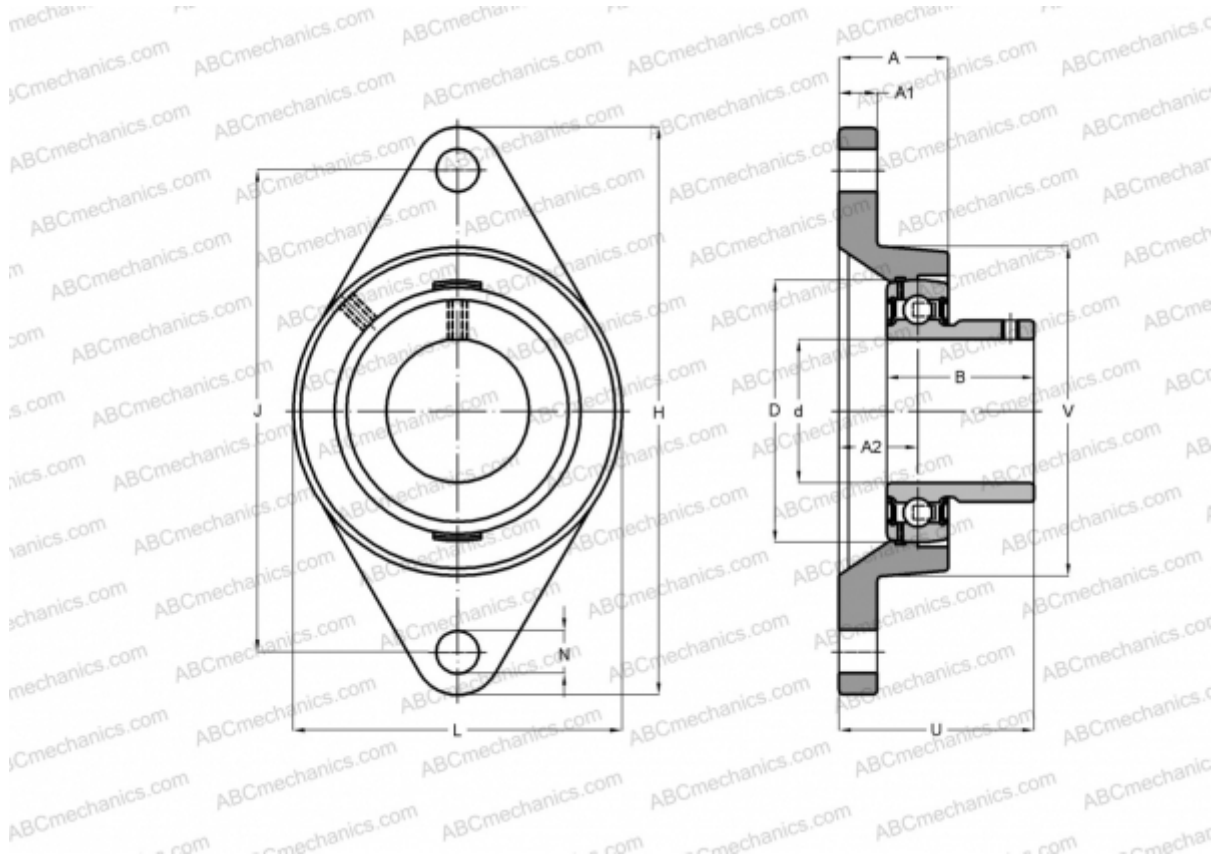


RCJTY65-214 INA

Ball bearing units

TYPE: Housing units, Two-bolt flanged housing units, Cast iron housing, Radial insert ball bearing with grub screws in inner ring, Type RCJTY (INA)



Technical specification

DIMENSIONS, MM

d	65,000
D	125,000
B	74,600
L	160,000
H	258,000
A	57,000
J	216,000
A1	18,000
A2	38,000
N	21,000
U	82,400
V	160,000
Q	Rp1/8

Bearing	GYE65-214-
Housing	GG.CJT13/14

MANUFACTURER

[INA](#)

CALCULATION DATA

Basic dynamic load rating, C	62,000 kN
Basic static load rating, Co	44,000 kN

WEIGHT, KG 5,950