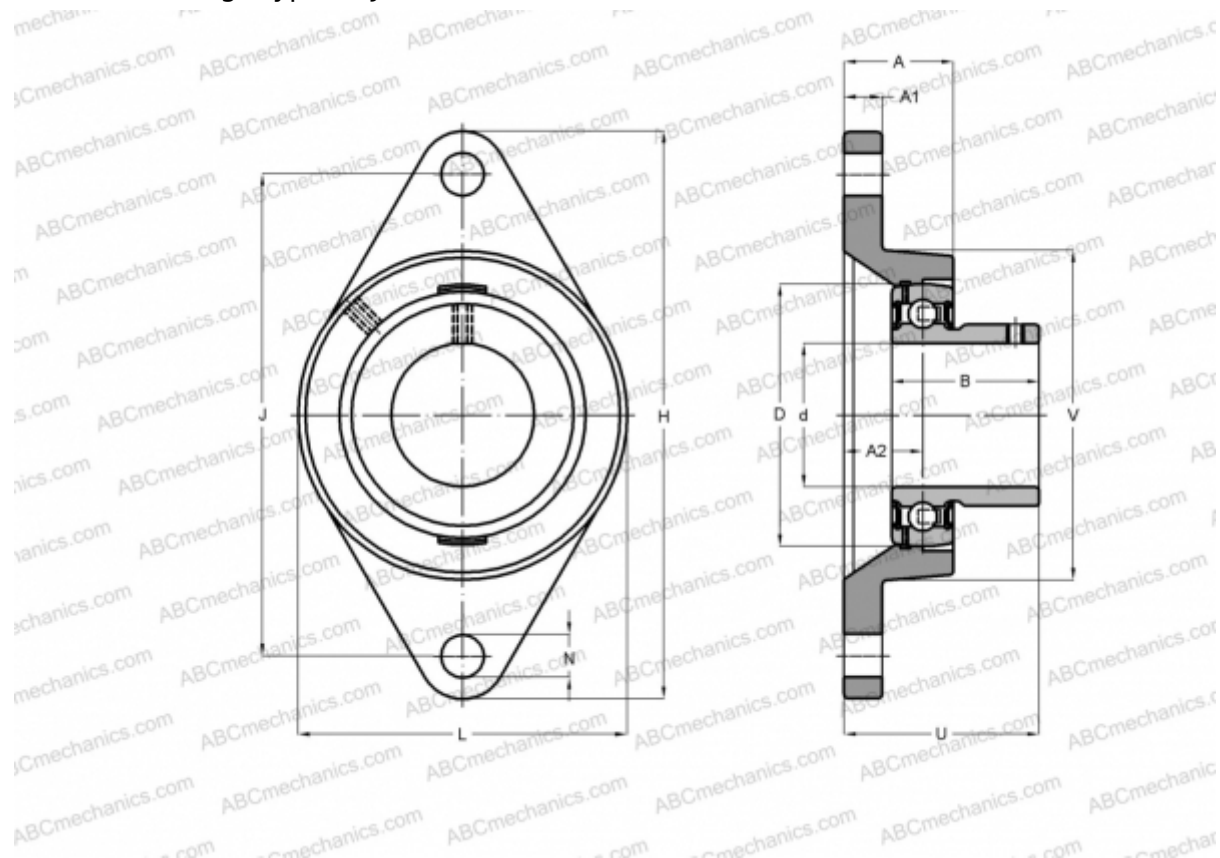


RCJTY70 INA

Ball bearing units

TYPE: Housing units, Two-bolt flanged housing units, Cast iron housing, Radial insert ball bearing with grub screws in inner ring, Type RCJTY (INA)



Technical specification

DIMENSIONS, MM

d	70,000
D	125,000
B	74,600
L	160,000
H	258,000
A	57,000
J	216,000
A1	18,000
A2	38,000
N	21,000
U	82,400
V	160,000
Q	Rp1/8

WEIGHT, KG 5,650

Bearing	GYE70-KRR-B
Housing	GG.CJT13/14

MANUFACTURER

[INA](#)

CALCULATION DATA

Basic dynamic load rating, C	62,000 kN
Basic static load rating, Co	44,000 kN