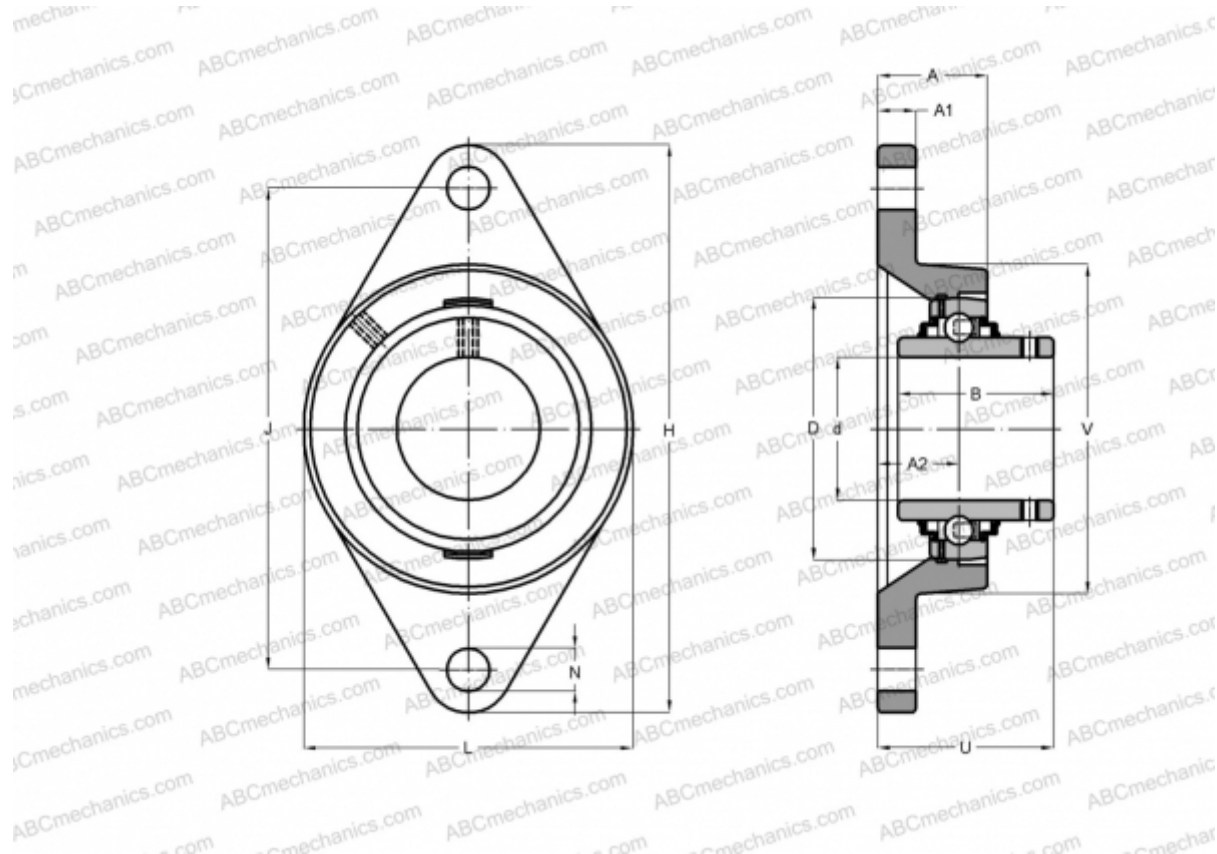


## RCJTY20-JIS INA

Ball bearing units

TYPE: Housing units, Two-bolt flanged housing units, Cast iron housing, Radial insert ball bearing with grub screws in inner ring, Type RCJTY (INA), dimensions sizes by standard JIS B 1559



### Technical specification

#### DIMENSIONS, MM

d	20,000
D	47,000
B	31,000
L	60,000
H	113,000
A	25,500
J	90,000
A1	12,000
A2	15,000
N	12,000
U	33,300
Q	M6

#### WEIGHT, KG

0,420

Bearing

GYE20-KRR-B-

Housing

GG.FL204

#### MANUFACTURER

[INA](#)

#### CALCULATION DATA

Basic dynamic load rating, C	12,800 kN
Basic static load rating, Co	6,600 kN