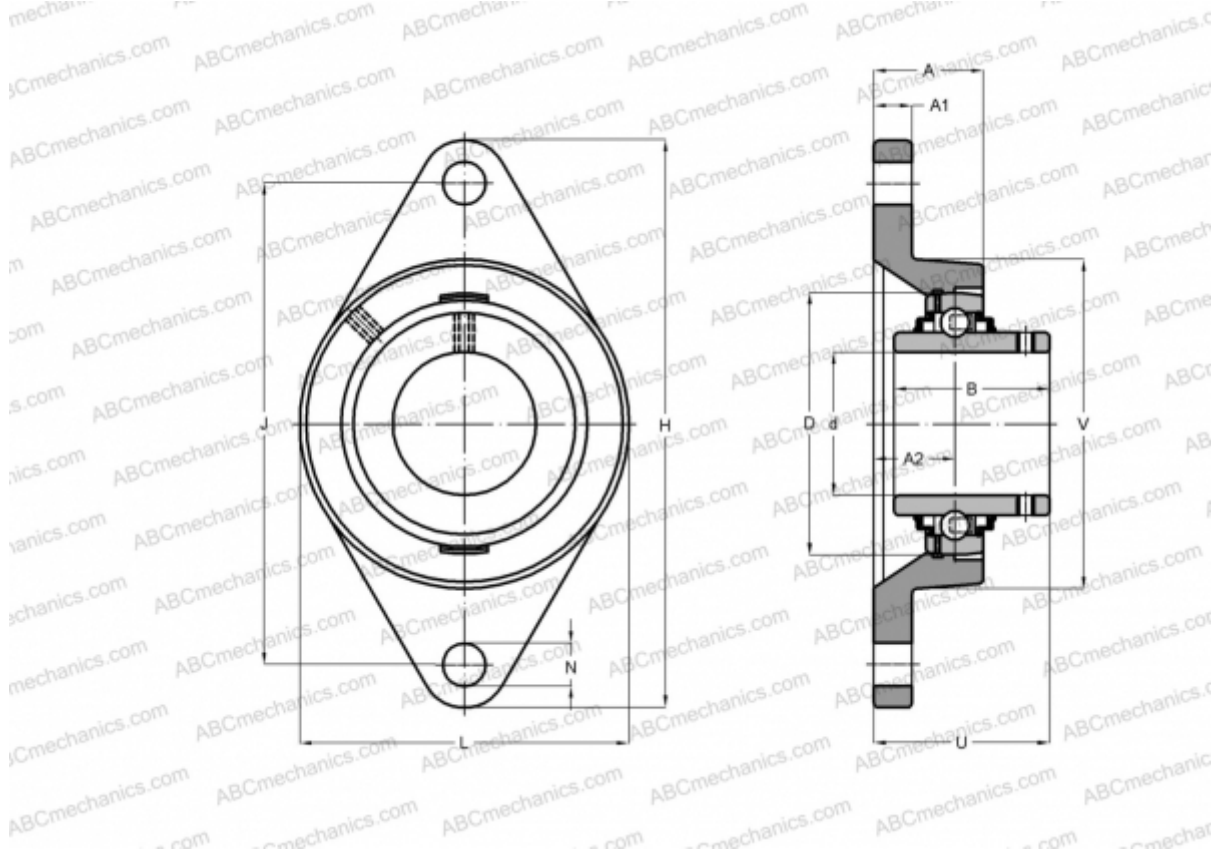


RCJTY60-JIS INA

Ball bearing units

TYPE: Housing units, Two-bolt flanged housing units, Cast iron housing, Radial insert ball bearing with grub screws in inner ring, Type RCJTY (INA), dimensions sizes by standard JIS B 1559



Technical specification

DIMENSIONS, MM

d	60,000
D	110,000
B	65,100
L	140,000
H	250,000
A	48,000
J	202,000
A1	20,000
A2	29,000
N	23,000
U	68,700
Q	M6

WEIGHT, KG 3,880

Bearing	GYE60-KRR-B-
Housing	GG.FL212

MANUFACTURER

[INA](#)

CALCULATION DATA

Basic dynamic load rating, C	52,000 kN
Basic static load rating, Co	36,000 kN