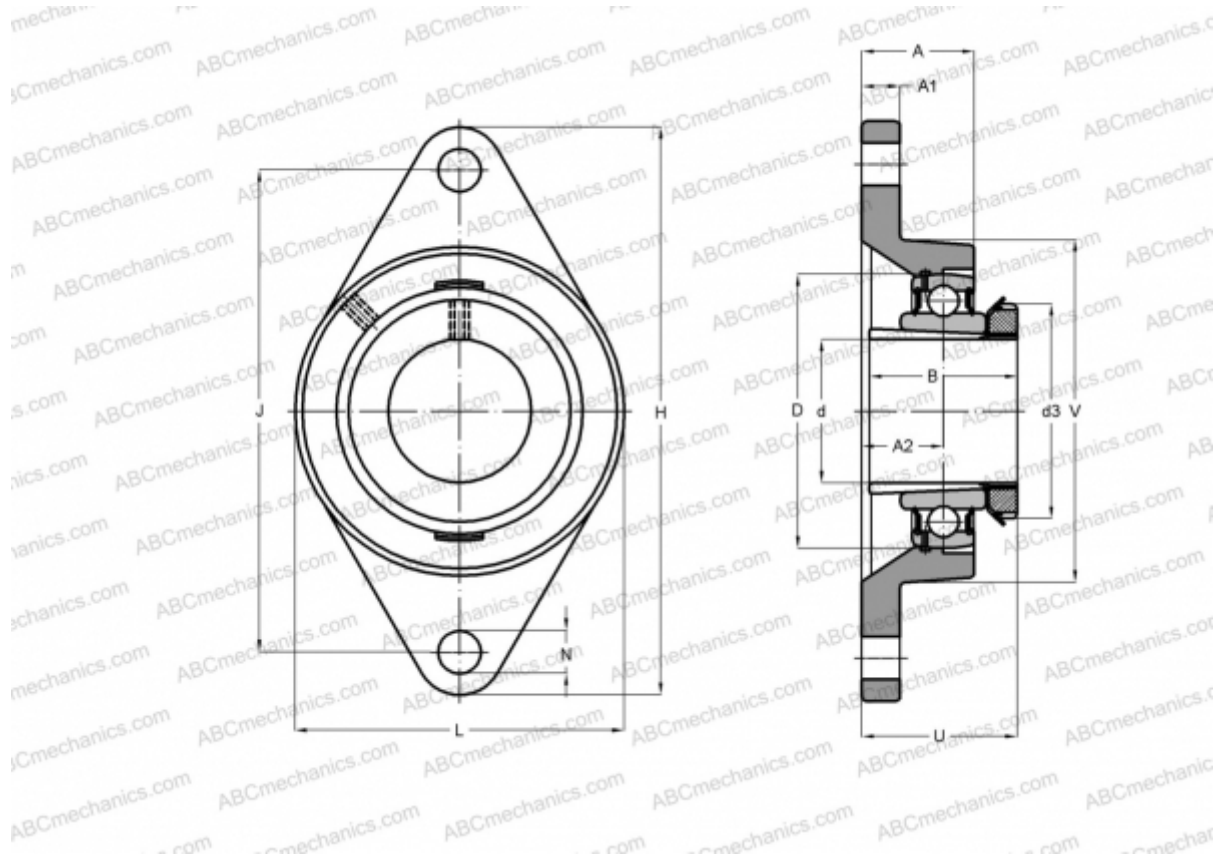


RCJTA20-N INA

Ball bearing units

TYPE: Housing units, Two-bolt flanged housing units, Cast iron housing, Radial insert ball bearing with adapter sleeve, Type RCJTA (INA)



Technical specification

DIMENSIONS, MM

d	20,000
D	47,000
B	28,000
L	61,000
H	112,000
A	28,000
J	90,000
A1	10,000
A2	19,000
N	11,500
d3	32,000
U	42,500
V	61,000
Q	Rp1/8

WEIGHT, KG

Bearing	0,520
Housing	GSH20-2RSR-B
Protective cover	GG.CJT04-N
	KASK04

MANUFACTURER

[INA](#)

CALCULATION DATA

Basic dynamic load rating, C	12,700 kN
Basic static load rating, Co	6,600 kN