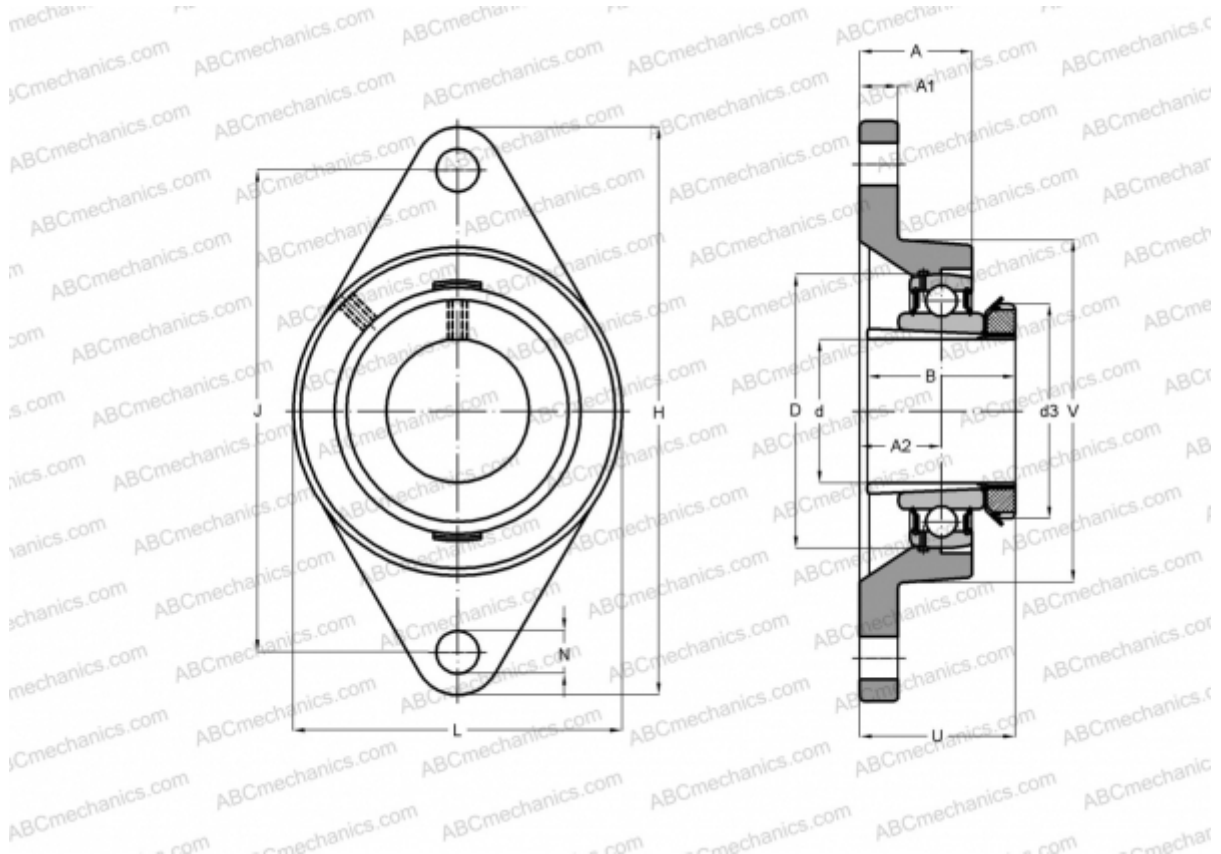


## RCJTA40-N INA

Ball bearing units

TYPE: Housing units, Two-bolt flanged housing units, Cast iron housing, Radial insert ball bearing with adapter sleeve, Type RCJTA (INA)



### Technical specification

#### DIMENSIONS, MM

d	40,000
D	80,000
B	38,000
L	105,000
H	172,000
A	34,500
J	143,500
A1	13,000
A2	24,000
N	14,000
d3	58,000
U	51,000
V	105,000
Q	Rp1/8

#### WEIGHT, KG

	1,460
Bearing	GSH40-2RSR-B
Housing	GG.CJT08-N
Protective cover	KASK08

#### MANUFACTURER

[INA](#)

#### CALCULATION DATA

Basic dynamic load rating, C	29,500 kN
Basic static load rating, Co	19,800 kN