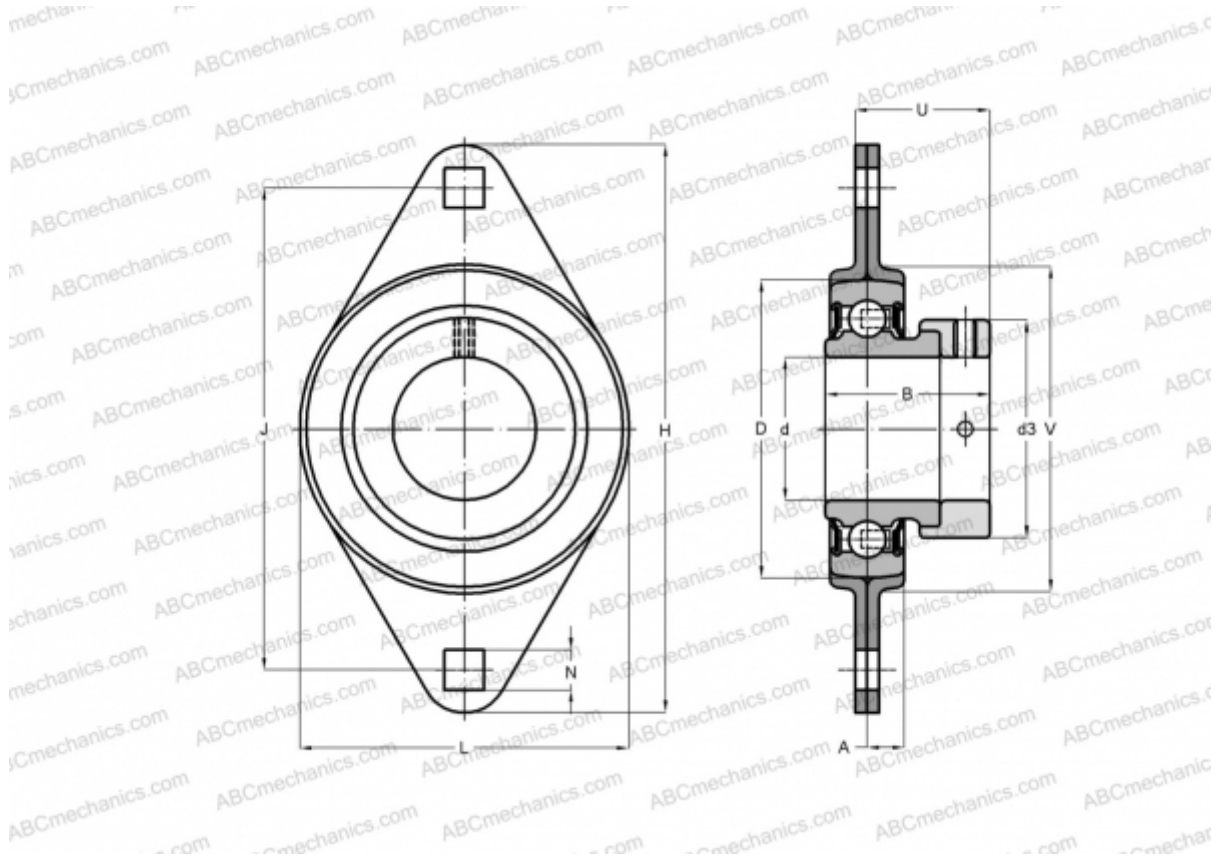


RAT35 INA

Ball bearing units

TYPE: Housing units, Two-bolt flanged housing units, Sheet steel housing, Radial insert ball bearing with eccentric locking collar, Type RAT (INA)



Technical specification

DIMENSIONS, MM

d	35,000
D	72,000
B	38,900
L	93,700
H	123,000
A	10,500
J	100,000
N	10,500
d3	51,000
U	31,500
V	81,000

WEIGHT, KG 0,720

Bearing RAE35-NPP-B

Housing

FLAN72-MST x

MANUFACTURER

2
[INA](#)

CALCULATION DATA

Basic dynamic load rating, C	25,500 kN
Basic static load rating, Co	15,300 kN