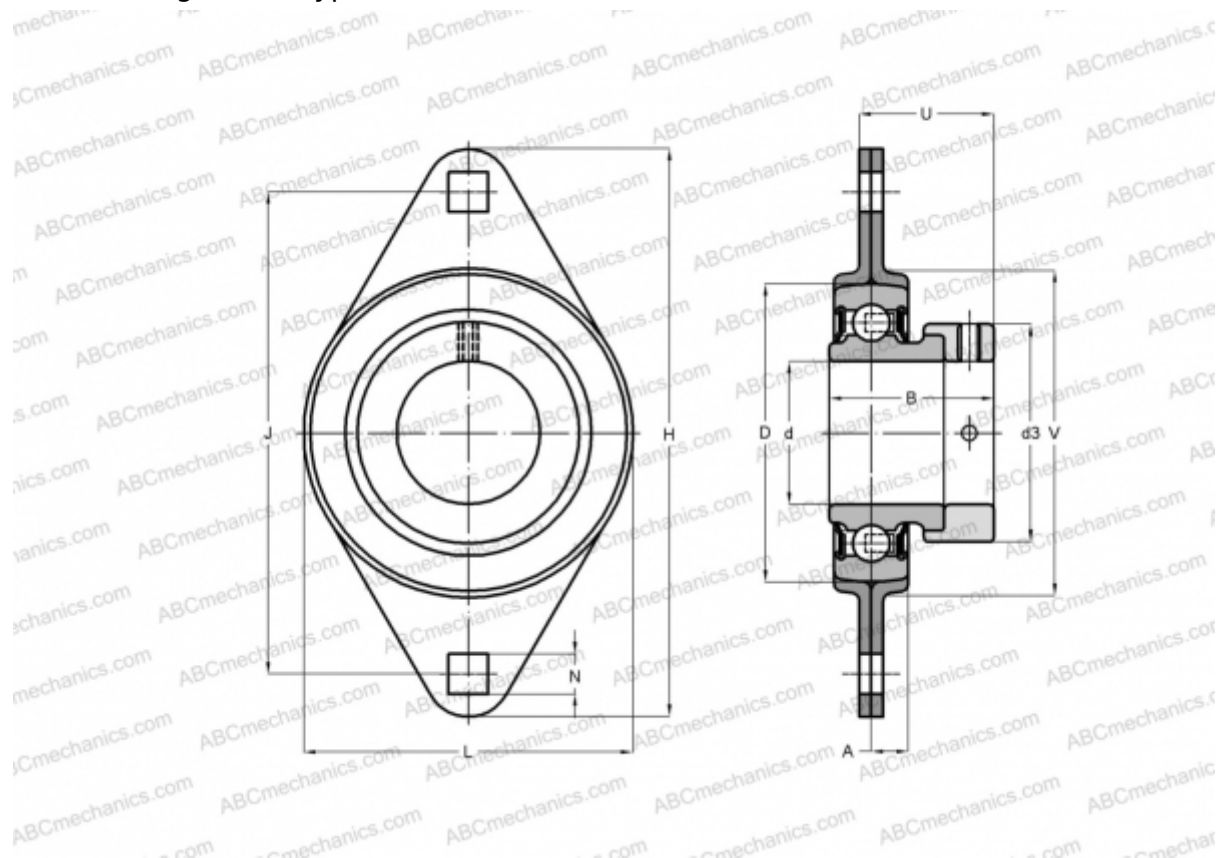


RALT20-FA125.8 INA

Ball bearing units

TYPE: Housing units, Two-bolt flanged housing units, Sheet steel housing, Radial insert ball bearing with eccentric locking collar, Type RALT (INA)



Technical specification

DIMENSIONS, MM

d	20,000
D	42,000
B	24,600
L	58,700
H	81,000
A	7,000
J	63,500
N	7,100
d3	30,000
U	20,600
V	48,000

WEIGHT, KG 0,210

Bearing RALE20-NPP-B

Housing

FLAN42-LST-

FA125 x 2
[INA](#)

MANUFACTURER

CALCULATION DATA

Basic dynamic load rating, C	9,400 kN
Basic static load rating, Co	5,000 kN