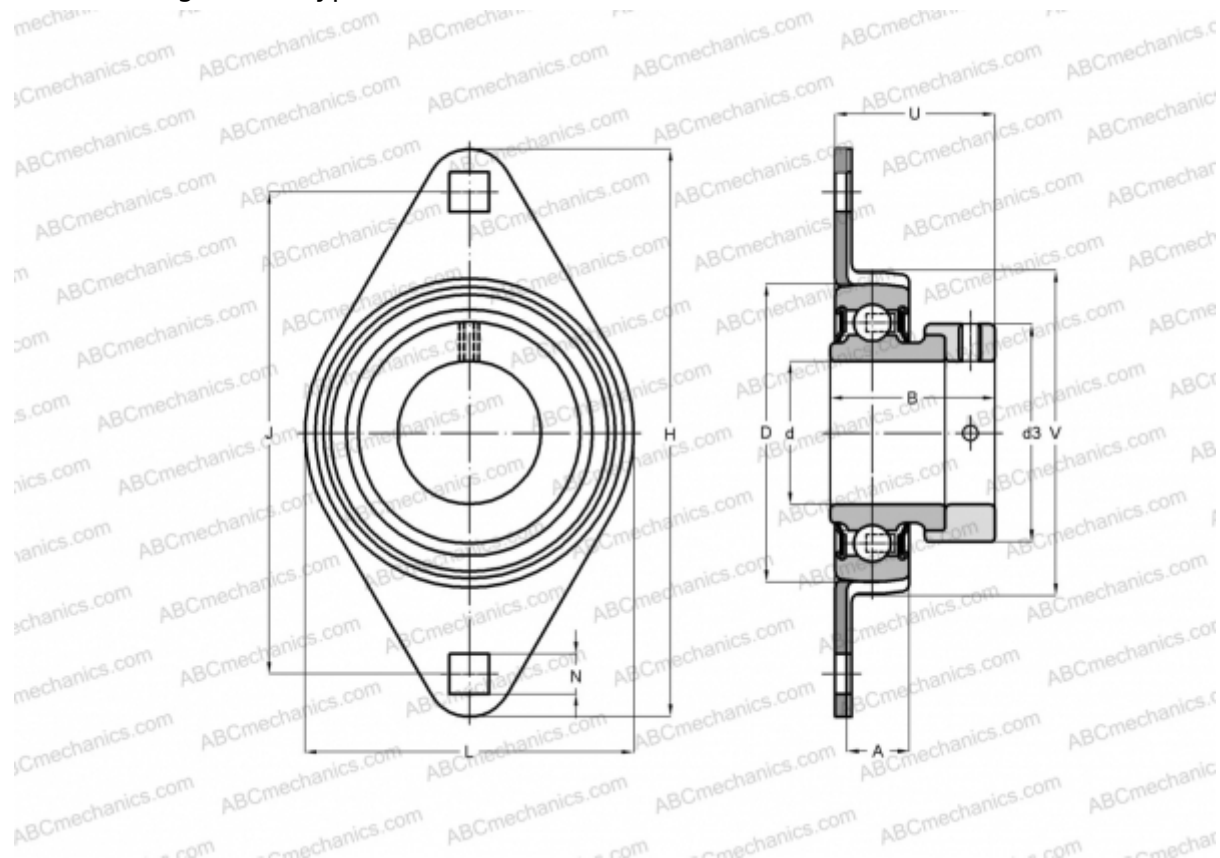


## PCSLT20 INA

Ball bearing units

TYPE: Housing units, Two-bolt flanged housing units, Sheet steel housing, Radial insert ball bearing with eccentric locking collar, Type PCSLT (INA)



### Technical specification

#### DIMENSIONS, MM

d	20,000
D	42,000
B	24,600
L	66,000
H	90,500
A	14,000
J	71,400
N	8,700
d3	30,000
U	26,100

**WEIGHT, KG** 0,220

Bearing	RALE20-NPP-B
Housing	FLAN42-CSLT-FA125/FLAN42-CST-FA125 x 1

#### MANUFACTURER

[INA](#)

#### CALCULATION DATA

Basic dynamic load rating, C	9,400 kN
Basic static load rating, Co	5,000 kN