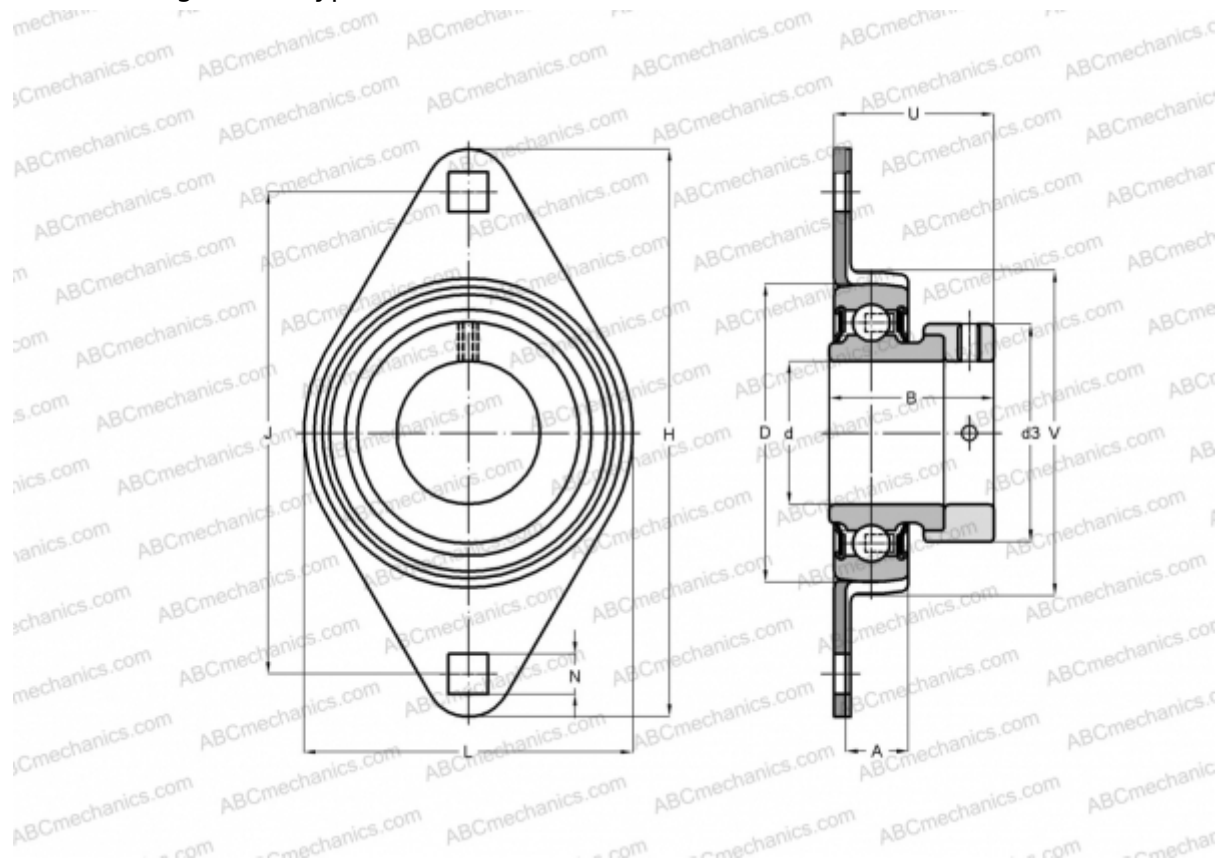


PCSLT30 INA

Ball bearing units

TYPE: Housing units, Two-bolt flanged housing units, Sheet steel housing, Radial insert ball bearing with eccentric locking collar, Type PCSLT (INA)



Technical specification

DIMENSIONS, MM

d	30,000
D	55,000
B	26,500
L	84,000
H	112,500
A	16,000
J	90,500
N	11,500
d3	42,500
U	29,000

WEIGHT, KG 0,300

Bearing	RALE30-NPP-B
Housing	FLAN55-CSLT-FA125/FLAN55-CST-FA125 x 1

MANUFACTURER

[INA](#)

CALCULATION DATA

Basic dynamic load rating, C	13,200 kN
Basic static load rating, Co	8,300 kN