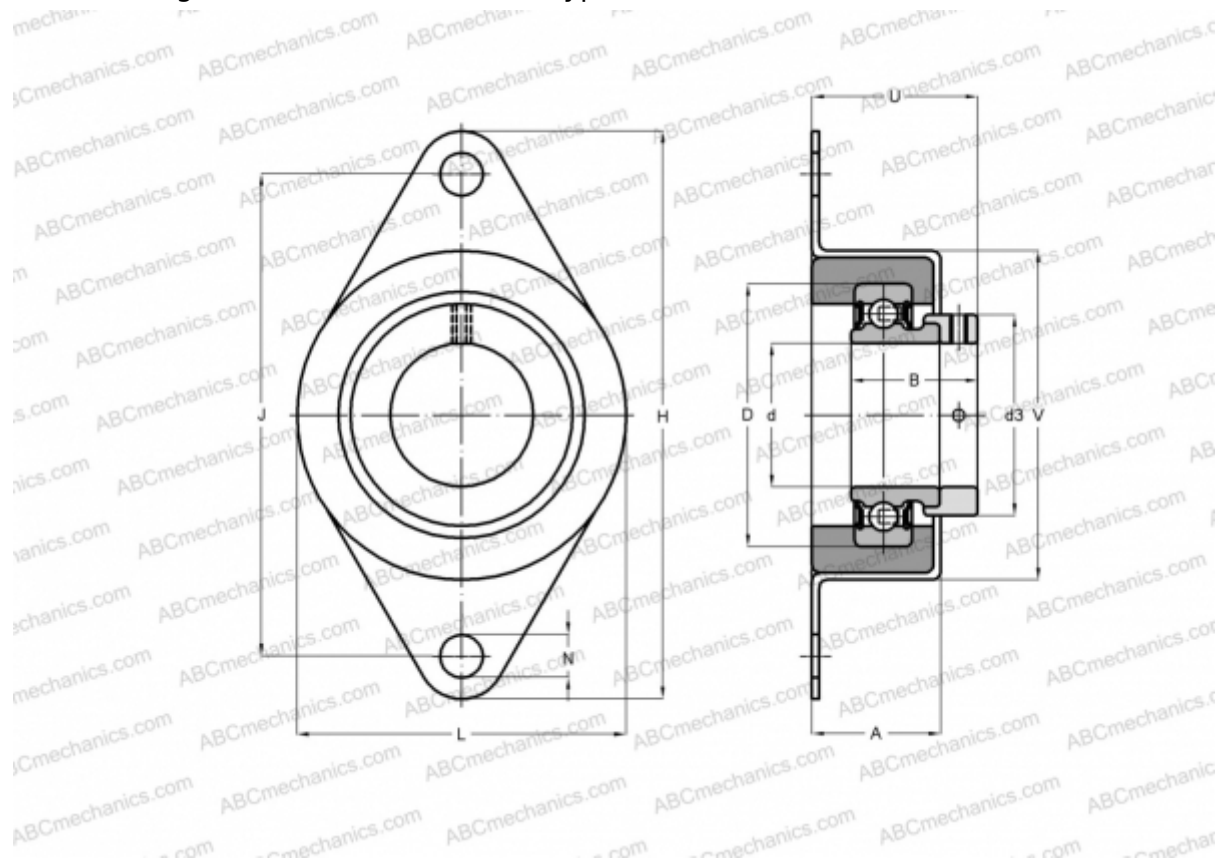


## RCSMF12 INA

Ball bearing units

TYPE: Housing units, Two-bolt flanged housing units, Sheet steel housing, Radial insert ball bearing with eccentric locking collar, Rubber interliner, type RCSMF (INA)



### Technical specification

#### DIMENSIONS, MM

d	12,000
D	40,000
B	28,600
L	70,000
H	114,000
A	27,000
J	92,000
N	10,500
d3	28,000
U	34,800
V	68,000

**WEIGHT, KG** 0,270

Bearing RAE12-NPP-FA106

Housing

FLAN65-

RCSMF-

**MANUFACTURER**

FA125+GRG.RCSM40/65  
INA

#### CALCULATION DATA

Basic dynamic load rating, C	9,800 kN
Basic static load rating, Co	4,750 kN