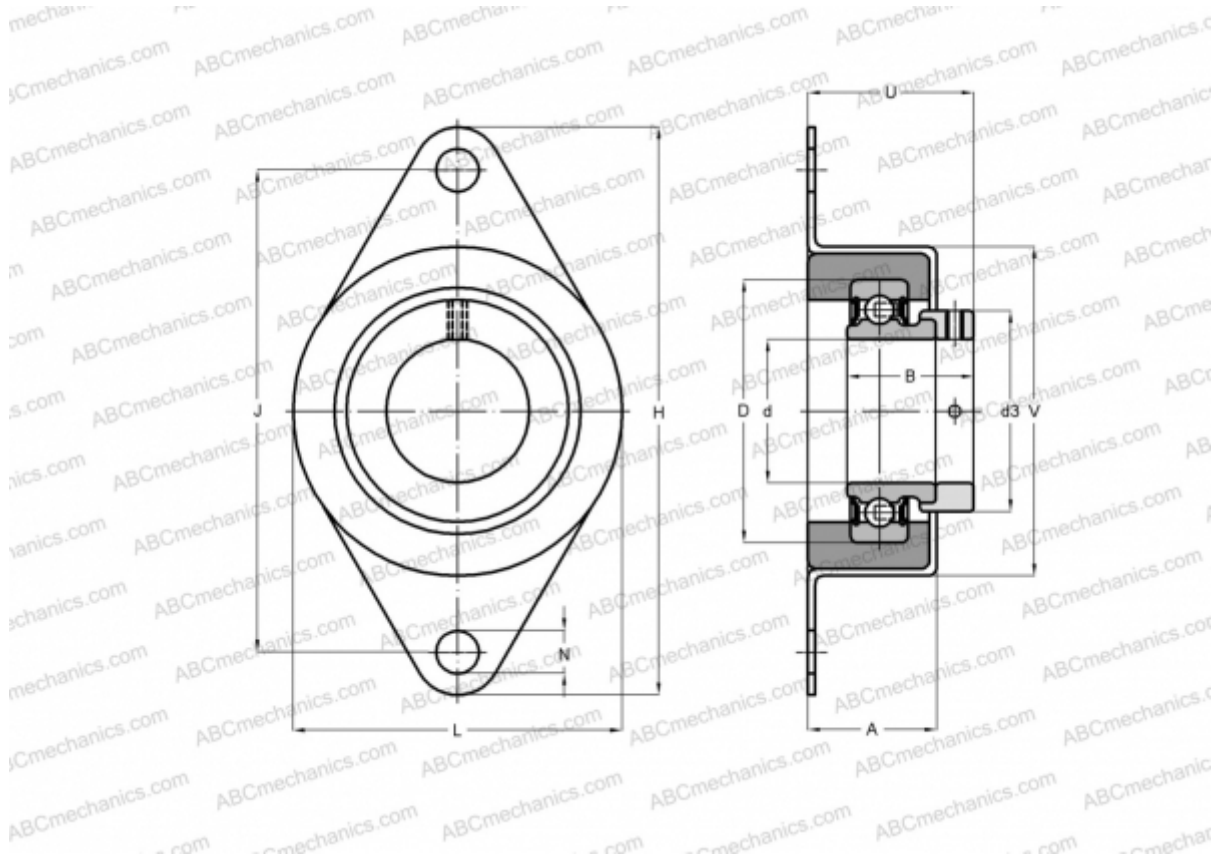


RCSMF20 INA

Ball bearing units

TYPE: Housing units, Two-bolt flanged housing units, Sheet steel housing, Radial insert ball bearing with eccentric locking collar, Rubber interliner, type RCSMF (INA)



Technical specification

DIMENSIONS, MM

d	20,000
D	47,000
B	31,000
L	70,000
H	114,000
A	27,000
J	92,000
N	10,500
d3	33,000
U	36,200
V	68,000

WEIGHT, KG 0,320

Bearing RAE20-NPP-FA106

Housing

FLAN65-

MANUFACTURER

RCSMF-

FA125+GRG.RCSM47/65

CALCULATION DATA

Basic dynamic load rating, C	12,800 kN
Basic static load rating, Co	6,600 kN