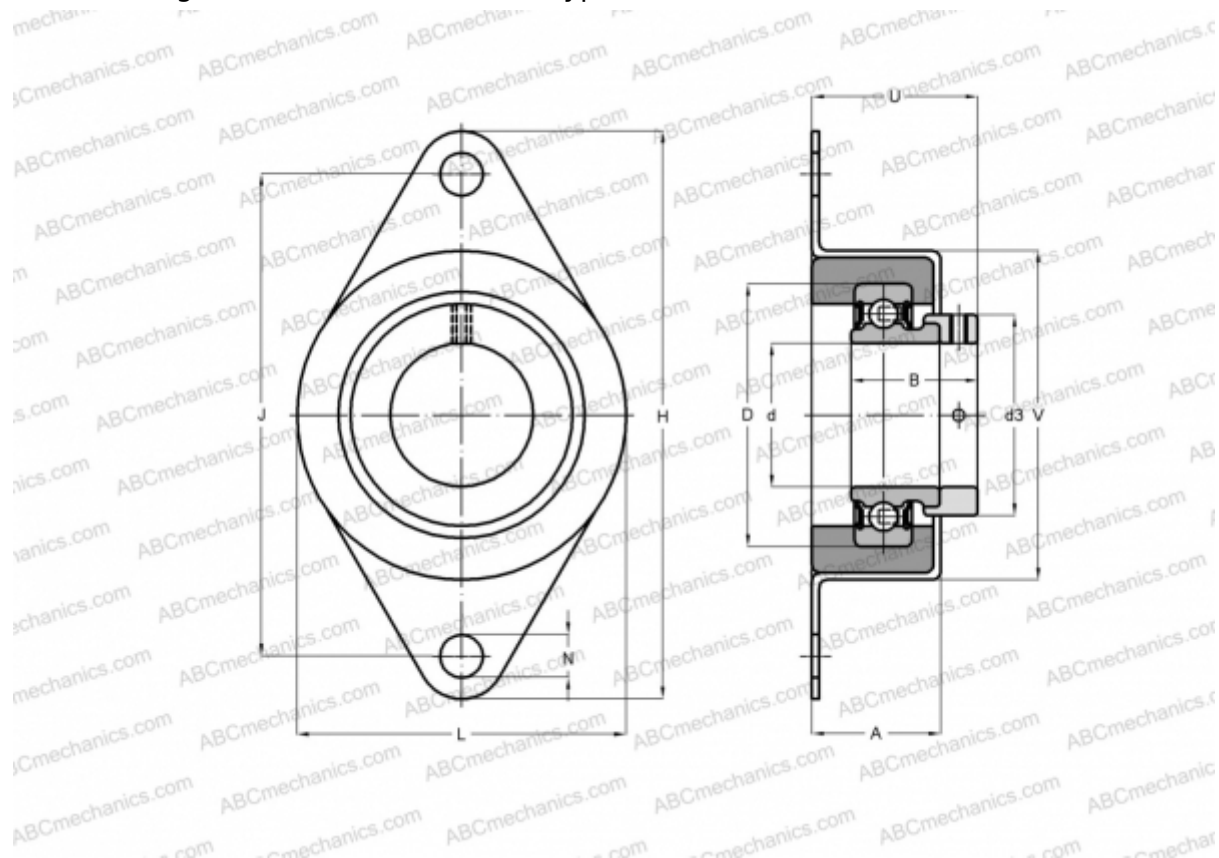


RCSMF25 INA

Ball bearing units

TYPE: Housing units, Two-bolt flanged housing units, Sheet steel housing, Radial insert ball bearing with eccentric locking collar, Rubber interliner, type RCSMF (INA)



Technical specification

DIMENSIONS, MM

d	25,000
D	52,000
B	31,000
L	70,000
H	114,000
A	27,000
J	92,000
N	10,500
d3	37,500
U	36,200
V	68,000

WEIGHT, KG 0,330

Bearing RAE25-NPP-FA106

Housing

FLAN65-

RCSMF-

MANUFACTURER

FA125+GRG.RCSM52/65
INA

CALCULATION DATA

Basic dynamic load rating, C	14,000 kN
Basic static load rating, Co	7,800 kN