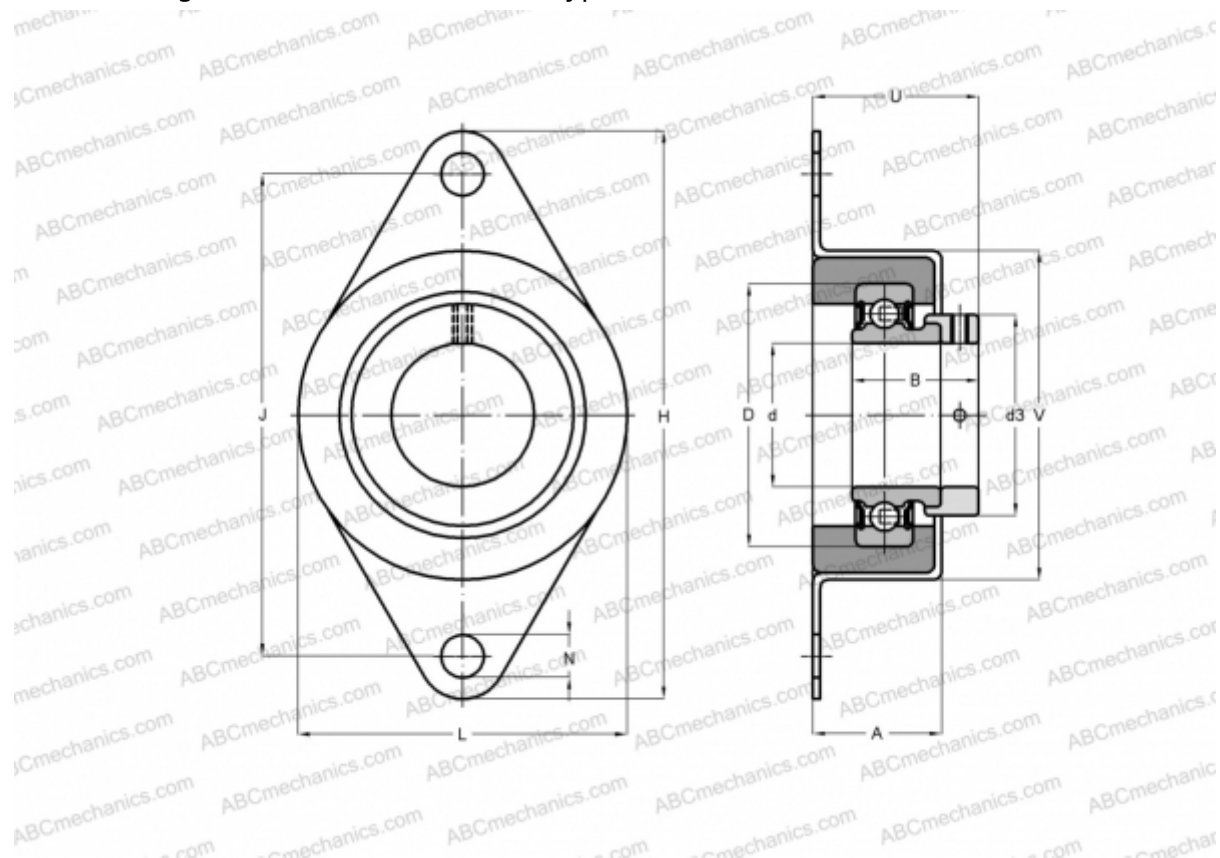


RCSMF30 INA

Ball bearing units

TYPE: Housing units, Two-bolt flanged housing units, Sheet steel housing, Radial insert ball bearing with eccentric locking collar, Rubber interliner, type RCSMF (INA)



Technical specification

DIMENSIONS, MM

d	30,000
D	55,000
B	26,500
L	70,000
H	114,000
A	27,000
J	92,000
N	10,500
d3	42,500
U	35,000
V	68,000

WEIGHT, KG 0,320

Bearing RALE30-NPP-FA106

Housing

FLAN65-

RCSMF-

MANUFACTURER

FA125+GRG.RCSM55/65
INA

CALCULATION DATA

Basic dynamic load rating, C	13,200 kN
Basic static load rating, Co	8,300 kN