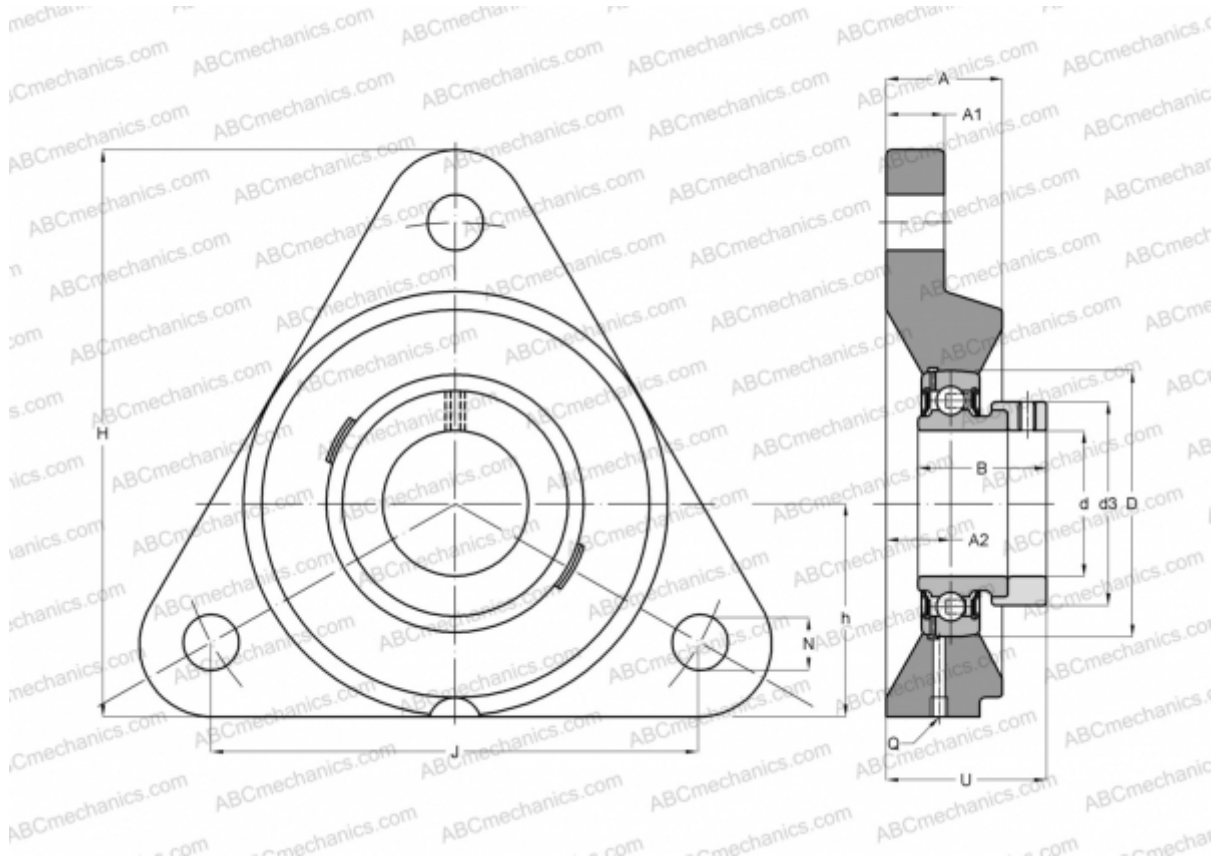


PCFTR30 INA

Ball bearing units

TYPE: Housing units, Three-bolt flanged housing units, Cast iron housing, Radial insert ball bearing with eccentric locking collar, Type PCFTR (INA)



Technical specification

DIMENSIONS, MM

d	30,000
D	62,000
B	35,800
H	117,000
A	24,000
J	116,000
A1	12,000
A2	13,300
N	11,500
d3	44,000
U	40,000
h	44,000
Q	Rp1/8

WEIGHT, KG 0,990

Bearing	GRAE30-NPP-B
Housing	GG.CFTR06

MANUFACTURER

[INA](#)

CALCULATION DATA

Basic dynamic load rating, C	19,500 kN
Basic static load rating, Co	11,300 kN