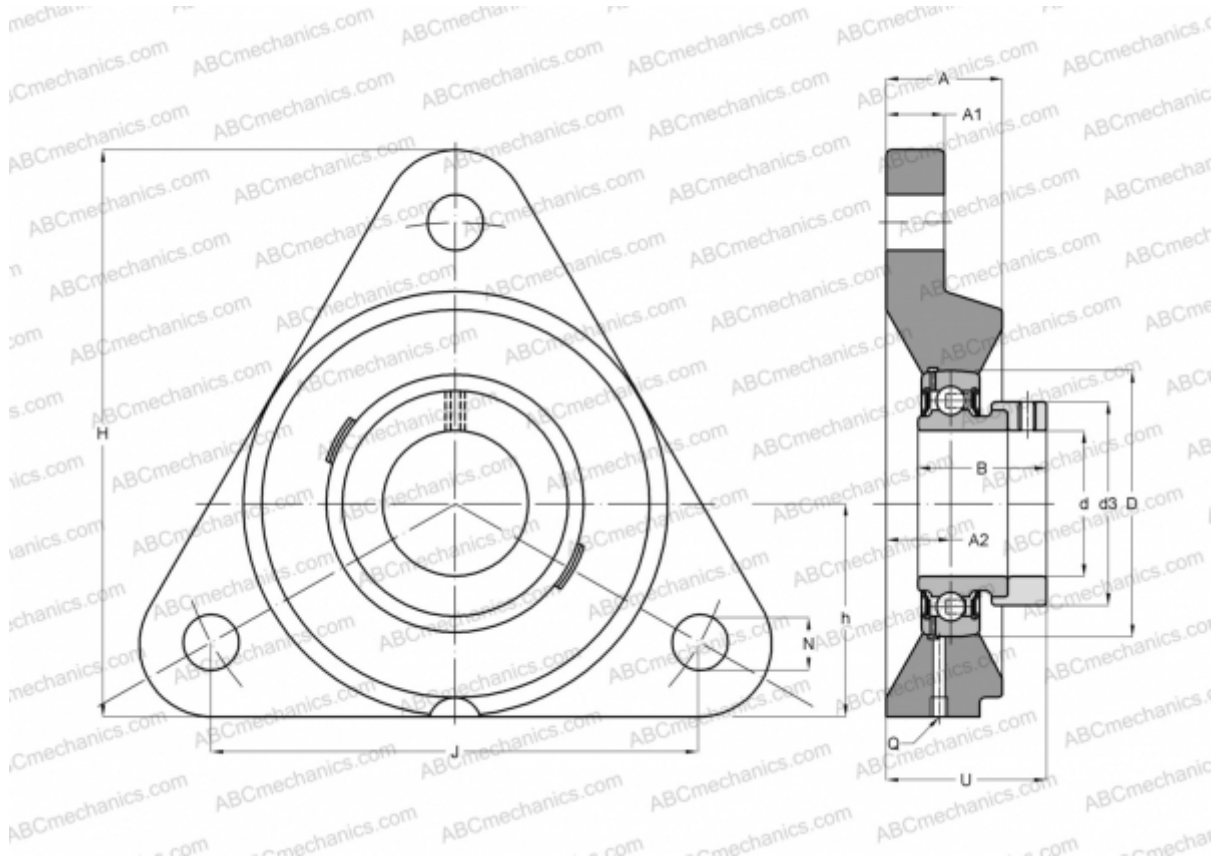


## PCFTR35 INA

Ball bearing units

TYPE: Housing units, Three-bolt flanged housing units, Cast iron housing, Radial insert ball bearing with eccentric locking collar, Type PCFTR (INA)



### Technical specification

#### DIMENSIONS, MM

d	35,000
D	72,000
B	39,000
H	128,000
A	27,000
J	129,700
A1	14,000
A2	15,600
N	14,000
d3	51,000
U	45,100
h	48,000
Q	Rp1/8

Bearing	GRAE35-NPP-B
Housing	GG.CFTR07

#### MANUFACTURER

[INA](#)

#### CALCULATION DATA

Basic dynamic load rating, C	25,500 kN
Basic static load rating, Co	15,300 kN

**WEIGHT, KG** 1,340