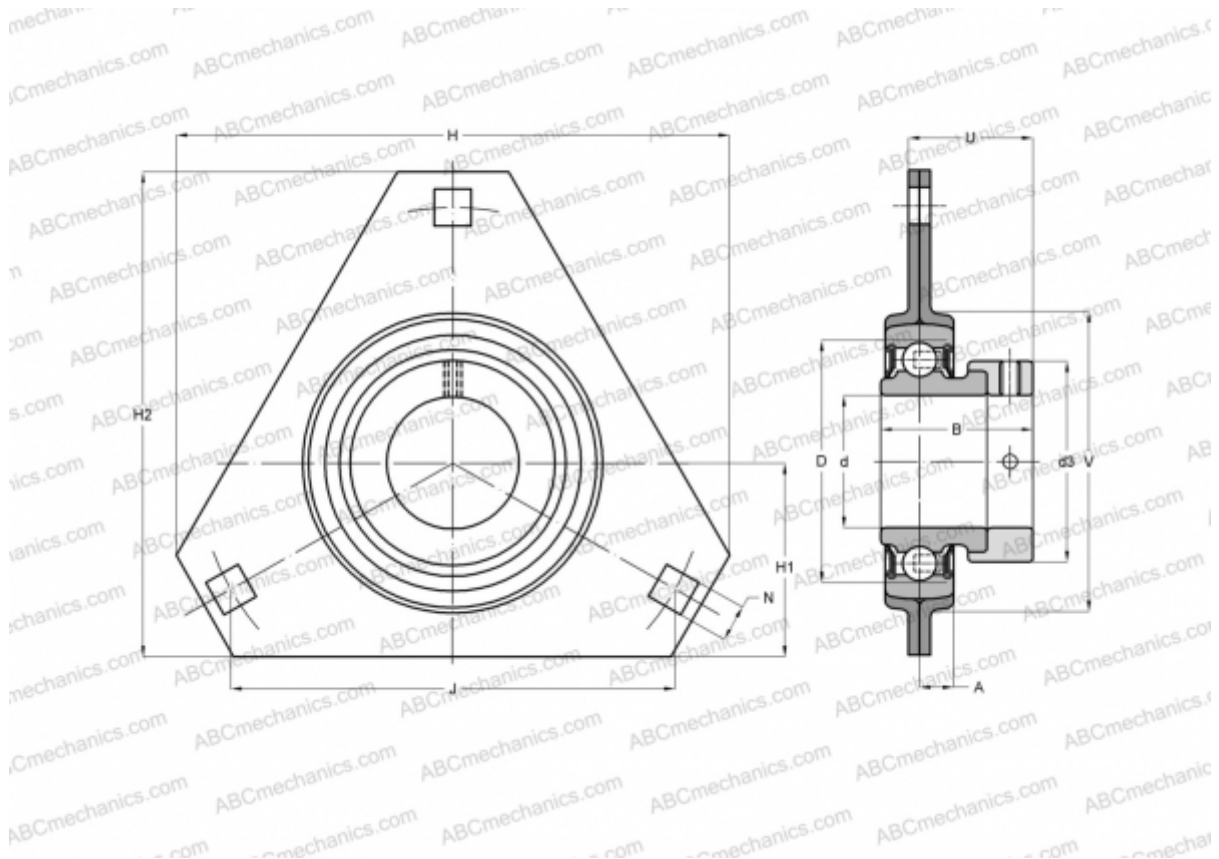


RATR30 INA

Ball bearing units

TYPE: Housing units, Three-bolt flanged housing units, Sheet steel housing, Radial insert ball bearing with eccentric locking collar, Type RATR (INA)



Technical specification

DIMENSIONS, MM

d	30,000
D	62,000
B	35,700
H	112,700
A	8,700
H2	93,000
J	90,500
H1	38,100
N	10,500
d3	44,000
U	29,200
V	71,000

WEIGHT, KG 0,430

Bearing	RAE30-NPP-B
Housing	FLAN62-MSTR

MANUFACTURER

x 2
[INA](#)

CALCULATION DATA

Basic dynamic load rating, C	19,500 kN
Basic static load rating, Co	11,300 kN