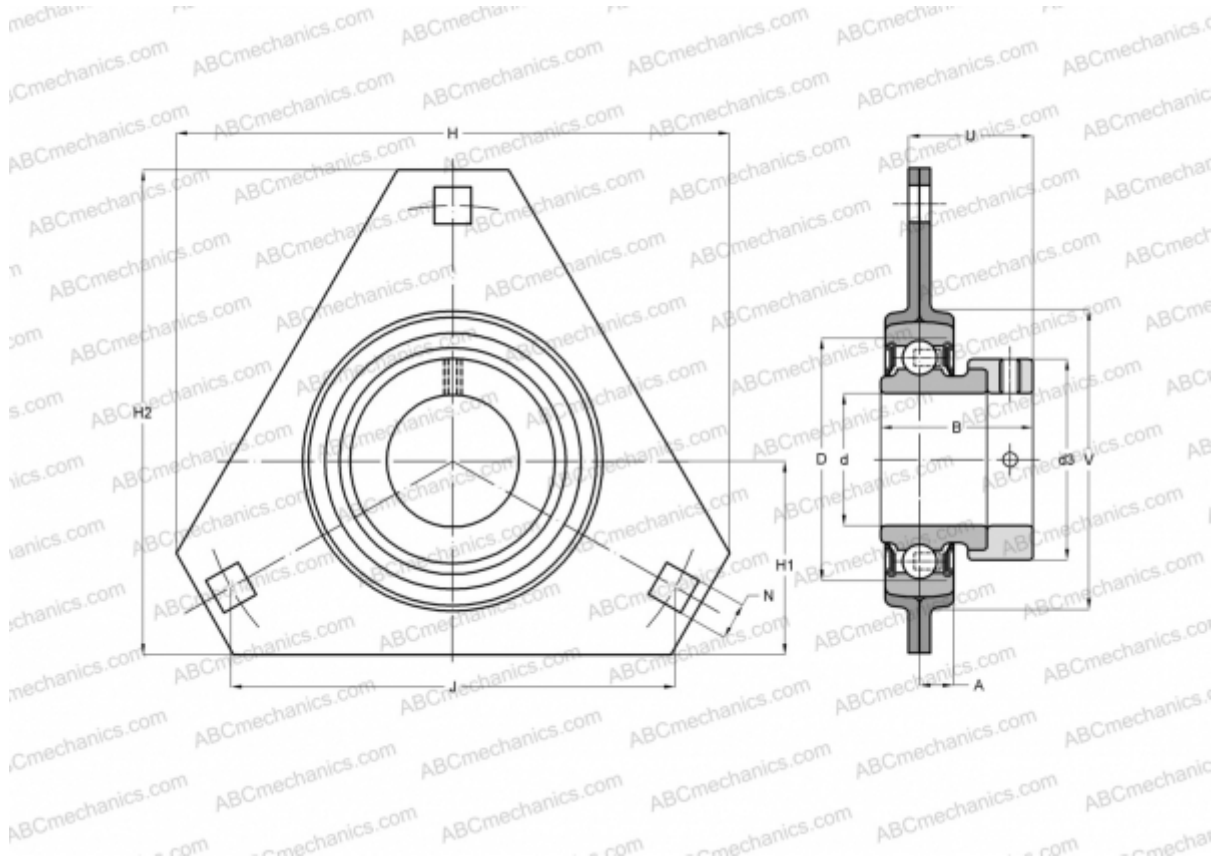


## RALTR20 INA

Ball bearing units

TYPE: Housing units, Three-bolt flanged housing units, Sheet steel housing, Radial insert ball bearing with eccentric locking collar, Without relubrication facility, type RALTR (INA)



### Technical specification

#### DIMENSIONS, MM

d	20,000
D	42,000
B	24,500
H	90,500
A	7,200
H2	76,200
J	71,500
H1	33,300
N	8,700
d3	30,000
U	20,600
V	49,000

**WEIGHT, KG** 0,210

Bearing	RALE20-NPP-B
Housing	FLAN42-LSTR x

#### MANUFACTURER

2  
[INA](#)

#### CALCULATION DATA

Basic dynamic load rating, C	9,400 kN
Basic static load rating, Co	5,000 kN