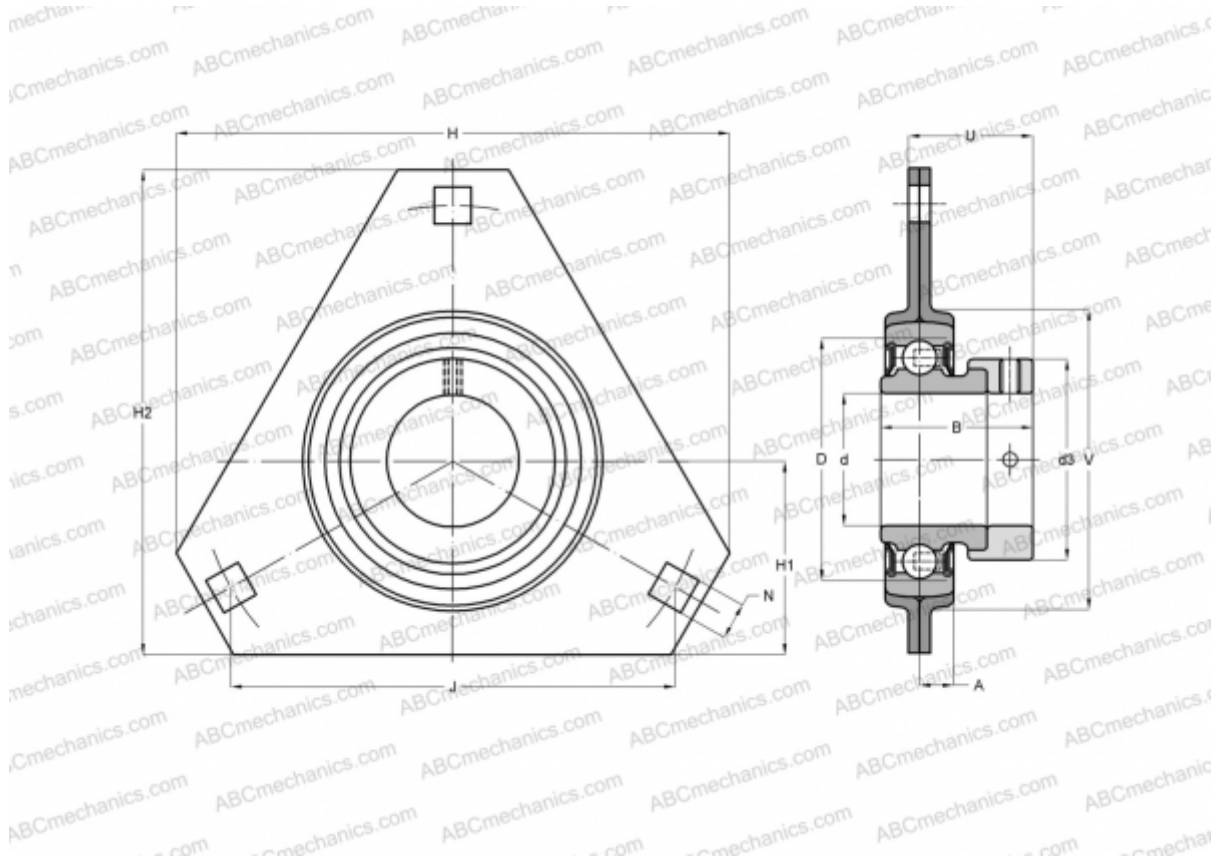


RALTR25 INA

Ball bearing units

TYPE: Housing units, Three-bolt flanged housing units, Sheet steel housing, Radial insert ball bearing with eccentric locking collar, Without relubrication facility, type RALTR (INA)



Technical specification

DIMENSIONS, MM

d	25,000
D	47,000
B	25,500
H	95,300
A	7,200
H2	80,500
J	76,000
H1	34,900
N	8,700
d3	36,000
U	21,400
V	54,000

WEIGHT, KG 0,230

Bearing	RALE25-NPP-B
Housing	FLAN47-LSTR x

MANUFACTURER

2
[INA](#)

CALCULATION DATA

Basic dynamic load rating, C	10,100 kN
Basic static load rating, Co	5,900 kN