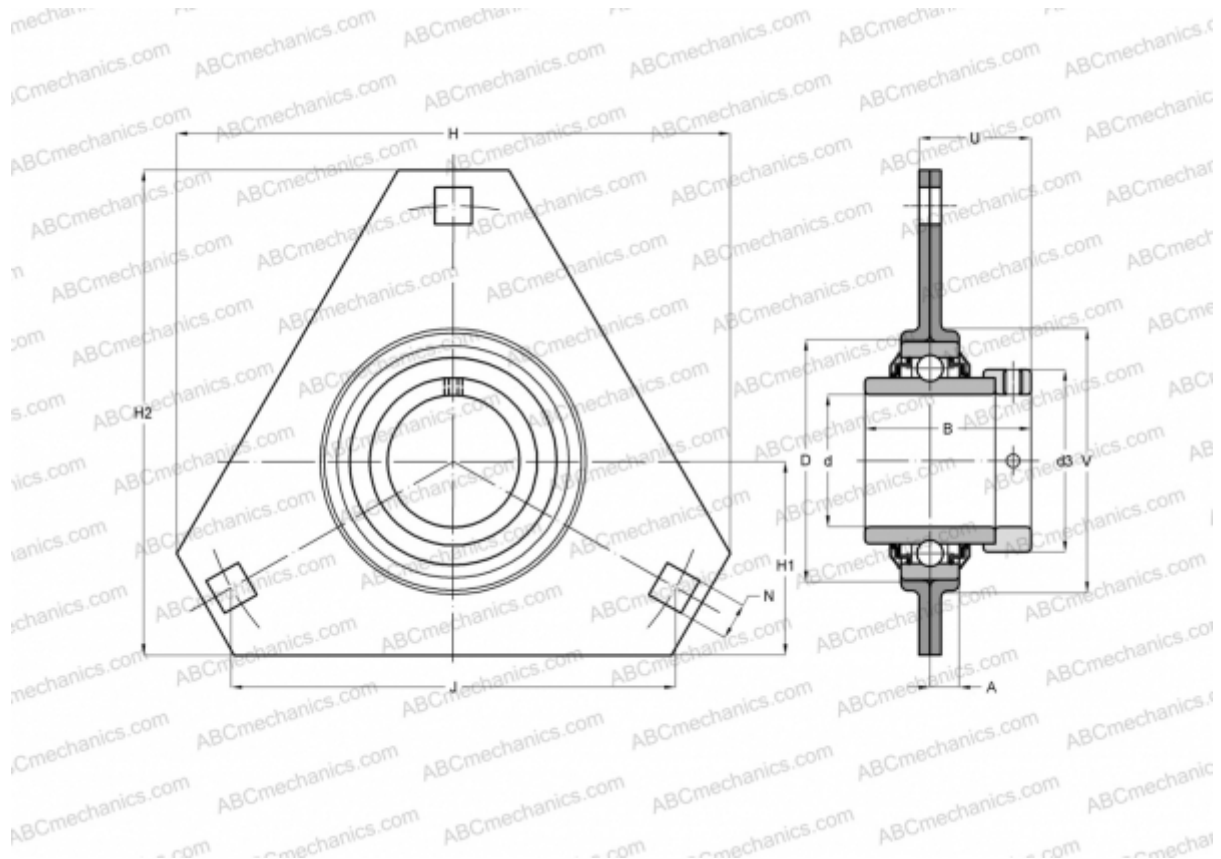


RRTR30 INA

Ball bearing units

TYPE: Housing units, Three-bolt flanged housing units, Sheet steel housing, Radial insert ball bearing with eccentric locking collar, Type RRTR (INA)



Technical specification

DIMENSIONS, MM

| | |
|----|---------|
| d | 30,000 |
| D | 62,000 |
| B | 48,500 |
| H | 112,700 |
| A | 8,700 |
| H2 | 93,000 |
| J | 90,500 |
| H1 | 38,100 |
| N | 10,500 |
| d3 | 44,000 |
| U | 32,600 |
| V | 71,000 |

WEIGHT, KG 0,500

| | |
|---------|-------------|
| Bearing | E30-KRR-B |
| Housing | FLAN62-MSTR |

MANUFACTURER

x 2
[INA](#)

CALCULATION DATA

| | |
|------------------------------|-----------|
| Basic dynamic load rating, C | 19,500 kN |
| Basic static load rating, Co | 11,300 kN |