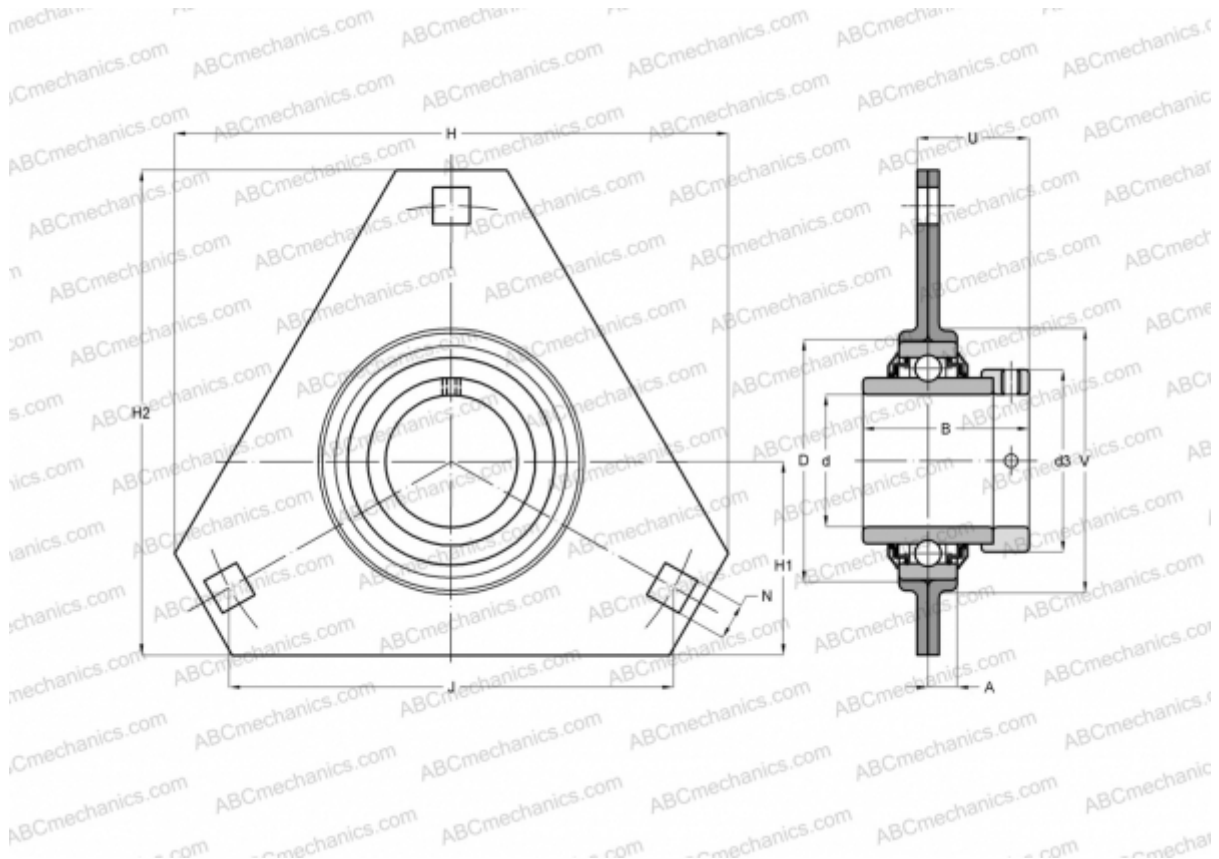


RRTR35 INA

Ball bearing units

TYPE: Housing units, Three-bolt flanged housing units, Sheet steel housing, Radial insert ball bearing with eccentric locking collar, Type RRTR (INA)



Technical specification

DIMENSIONS, MM

d	35,000
D	72,000
B	51,300
H	122,000
A	9,500
H2	105,600
J	100,000
H1	44,500
N	10,500
d3	51,000
U	34,800
V	81,000

WEIGHT, KG 0,630

Bearing	E35-KRR-B
Housing	FLAN72-MSTR

MANUFACTURER

x 2
[INA](#)

CALCULATION DATA

Basic dynamic load rating, C	25,500 kN
Basic static load rating, Co	15,300 kN