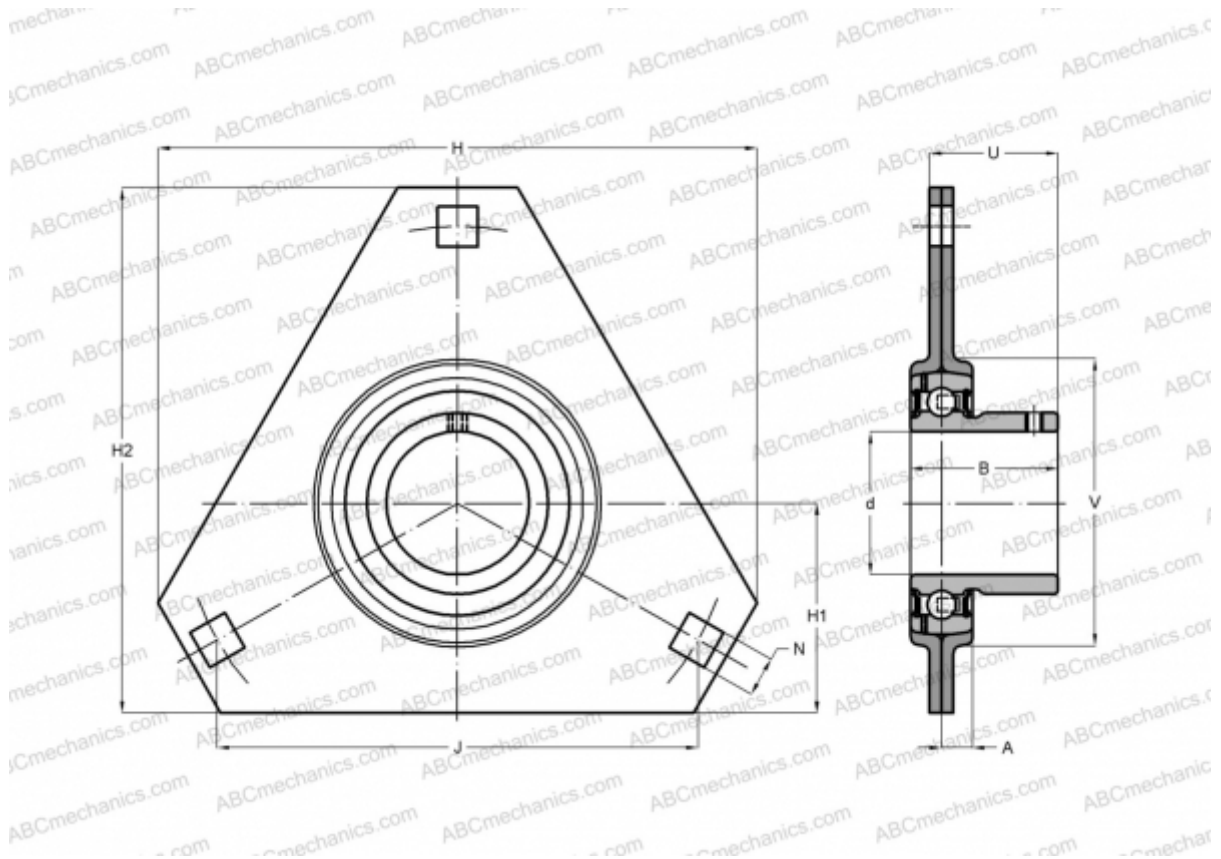


## RATRY35 INA

Ball bearing units

TYPE: Housing units, Three-bolt flanged housing units, Sheet steel housing, Radial insert ball bearing with grub screws in inner ring, Type RATRY (INA)



### Technical specification

#### DIMENSIONS, MM

d	35,000
D	72,000
B	35,000
H	122,000
A	9,500
H2	105,600
J	100,000
H1	44,500
N	10,500
U	28,000
V	81,000

**WEIGHT, KG** 0,470

Bearing GAY35-NPP-B

Housing

FLAN72-MSTR

#### MANUFACTURER

x 2  
[INA](#)

#### CALCULATION DATA

Basic dynamic load rating, C	25,500 kN
Basic static load rating, Co	15,300 kN