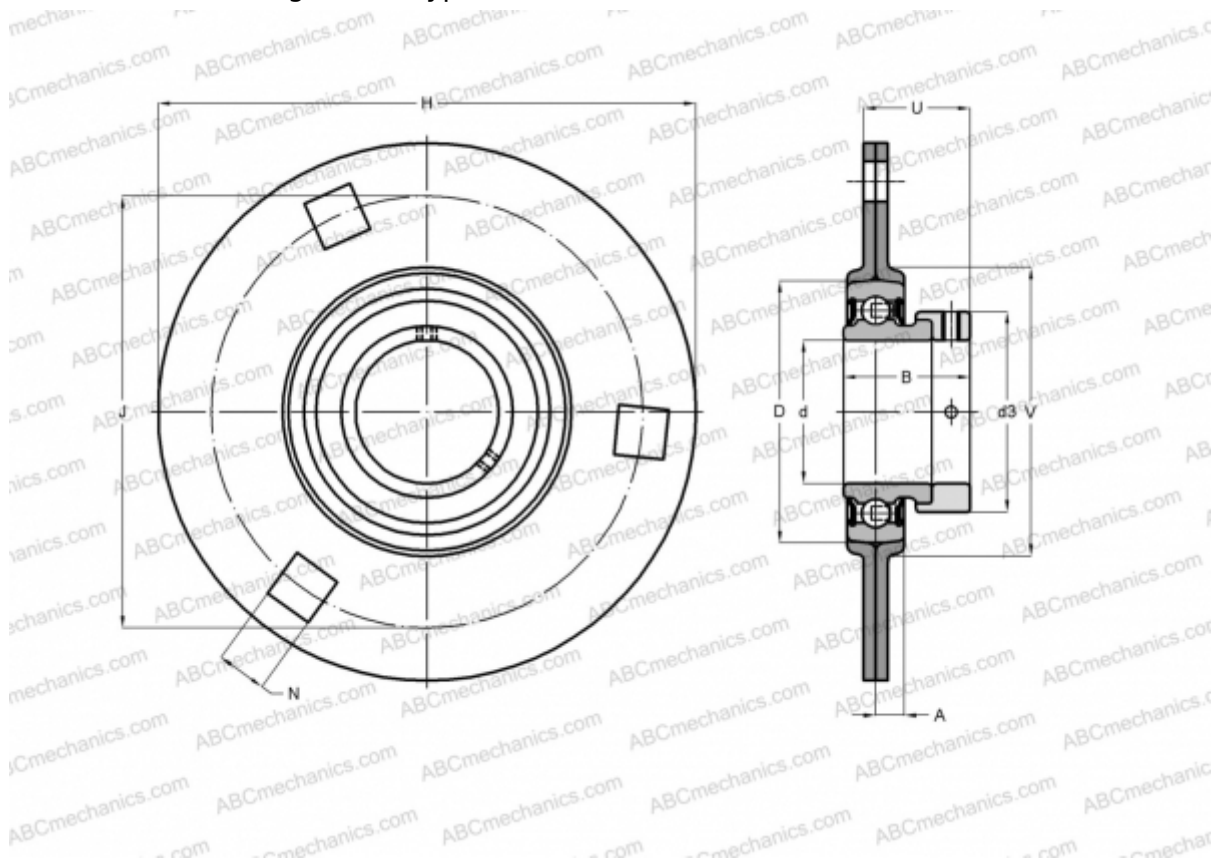


RA40 INA

Ball bearing units

TYPE: Housing units, Three/four-bolt flanged housing units, Sheet steel housing, Radial insert ball bearing with eccentric locking collar, Type RA (INA)



Technical specification

DIMENSIONS, MM

d	40,000
D	80,000
B	43,800
H	147,500
A	10,300
J	119,000
N	13,500
d3	58,000
U	36,200
V	90,000

WEIGHT, KG

1,360

Bearing	RAE40-NPP-B
Housing	FLAN80-MSB x

MANUFACTURER

[INA](#)

CALCULATION DATA

Basic dynamic load rating, C	32,500 kN
Basic static load rating, Co	19,800 kN