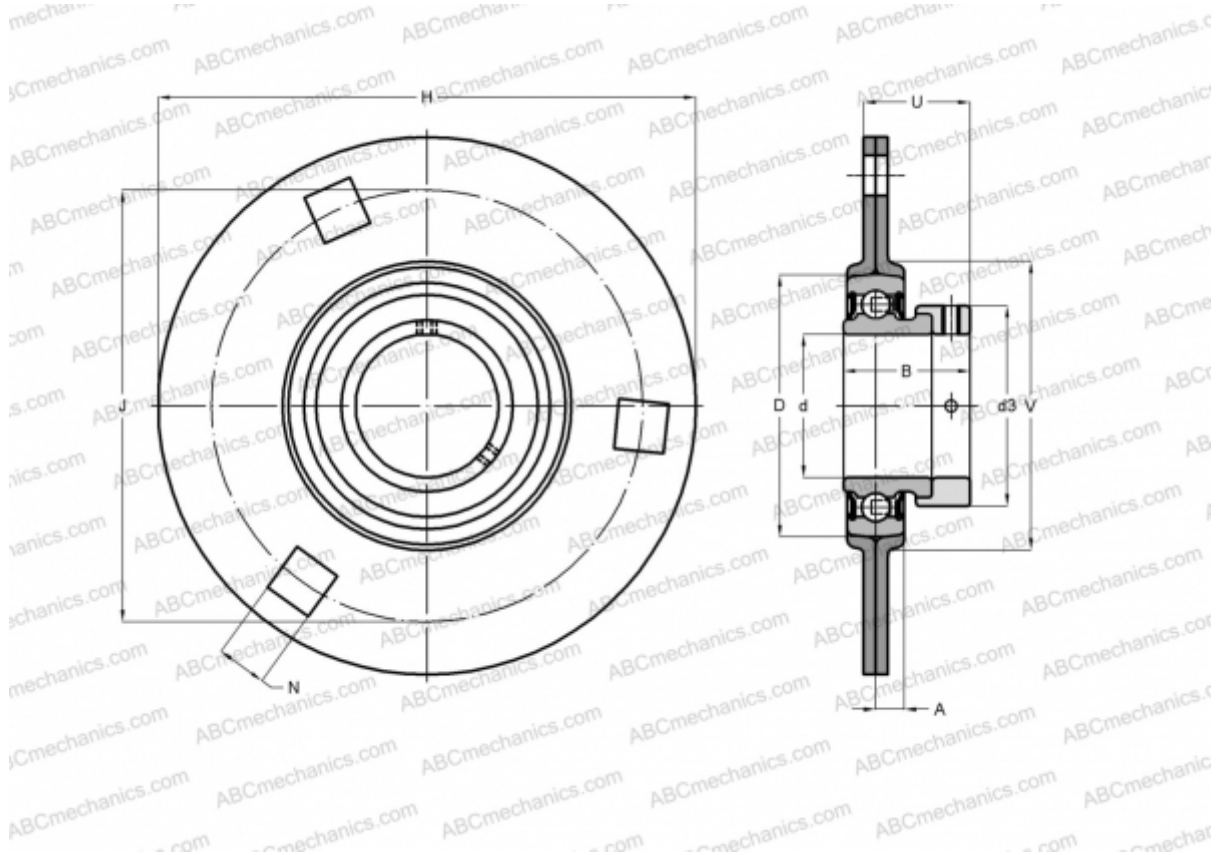


RA50 INA

Ball bearing units

TYPE: Housing units, Three/four-bolt flanged housing units, Sheet steel housing, Radial insert ball bearing with eccentric locking collar, Type RA (INA)



Technical specification

DIMENSIONS, MM

d	50,000
D	90,000
B	43,800
H	155,500
A	11,100
J	127,000
N	13,500
d3	69,000
U	36,700
V	100,000

WEIGHT, KG

1,680

Bearing	GRAE50-NPP-B
Housing	FLAN90-MSB x

MANUFACTURER

[INA](#)

CALCULATION DATA

Basic dynamic load rating, C	35,000 kN
Basic static load rating, Co	23,200 kN