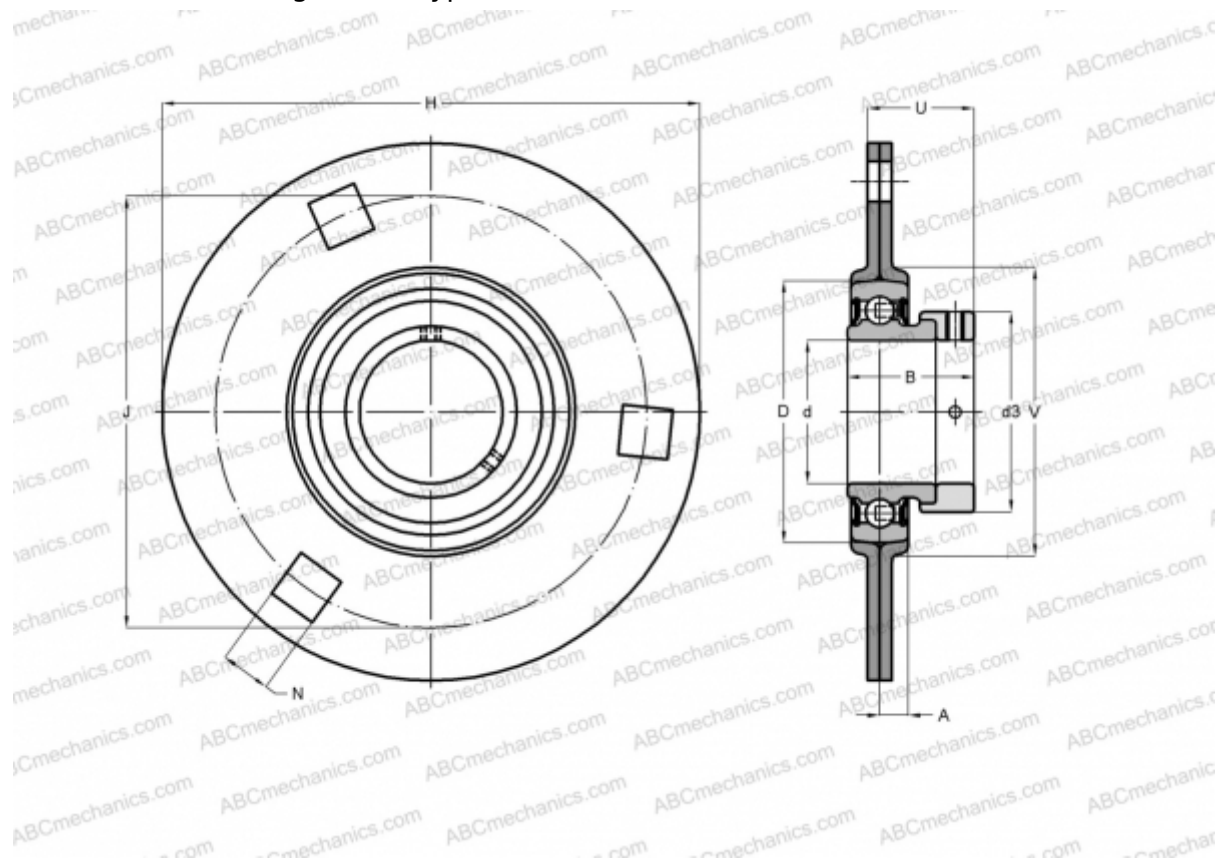


## RA55 INA

Ball bearing units

TYPE: Housing units, Three/four-bolt flanged housing units, Sheet steel housing, Radial insert ball bearing with eccentric locking collar, Type RA (INA)



### Technical specification

#### DIMENSIONS, MM

d	55,000
D	100,000
B	48,400
H	167,000
A	12,500
J	138,000
N	13,500
d3	76,000
U	40,400
V	110,000

#### WEIGHT, KG

1,390

Bearing	GRAE55-NPP-B
Housing	FLAN100-MSB

x 2

#### MANUFACTURER

[INA](#)

#### CALCULATION DATA

Basic dynamic load rating, C	43,500 kN
Basic static load rating, Co	29,000 kN