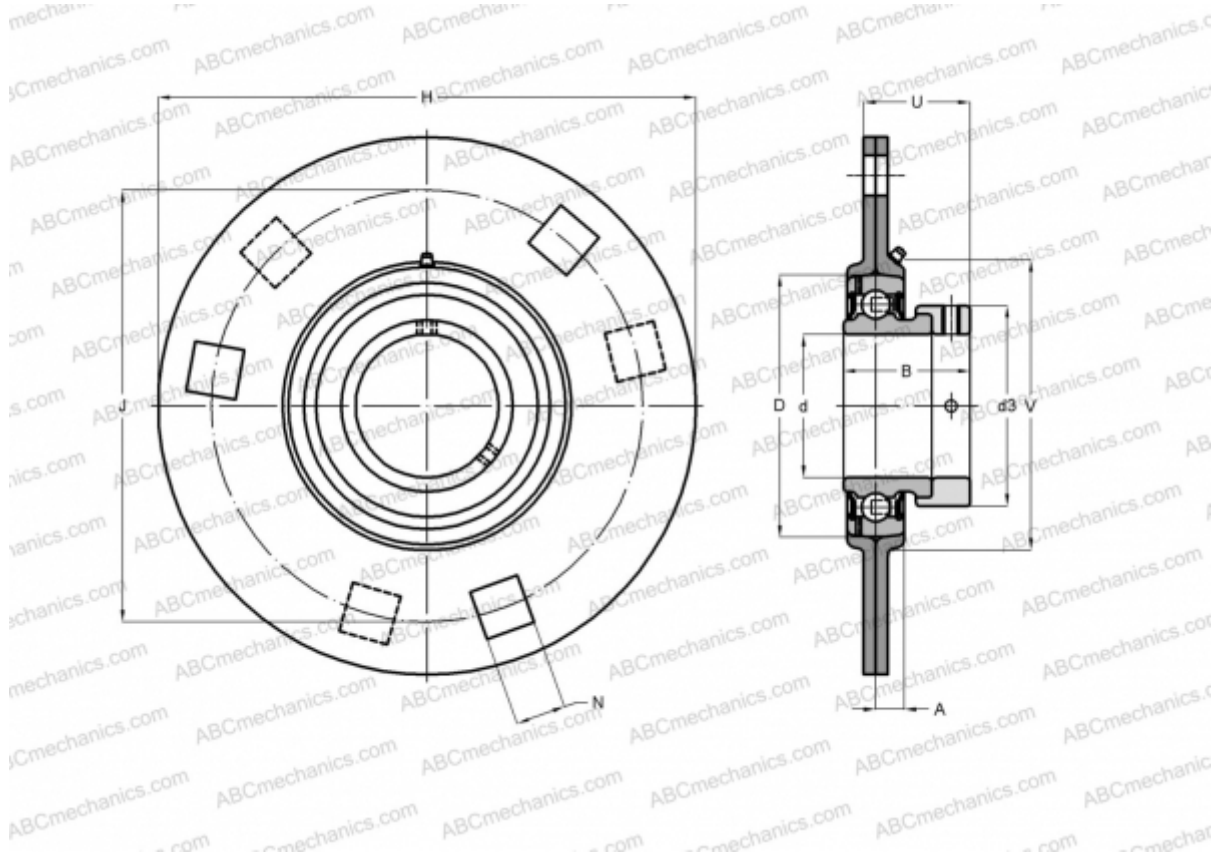


GRA45 INA

Ball bearing units

TYPE: Housing units, Three/four-bolt flanged housing units, Sheet steel housing, Radial insert ball bearing with eccentric locking collar, Type GRA (INA)



Technical specification

DIMENSIONS, MM

d	45,000
D	85,000
B	43,800
H	149,200
A	11,100
J	120,500
N	13,500
d3	63,000
U	36,200
V	95,000

WEIGHT, KG

1,410

Bearing	GRAE45-NPP-B
Housing	FLAN85- MSB/FLAN85- MSA x 1

MANUFACTURER

[INA](#)

CALCULATION DATA

Basic dynamic load rating, C	32,500 kN
Basic static load rating, Co	20,400 kN