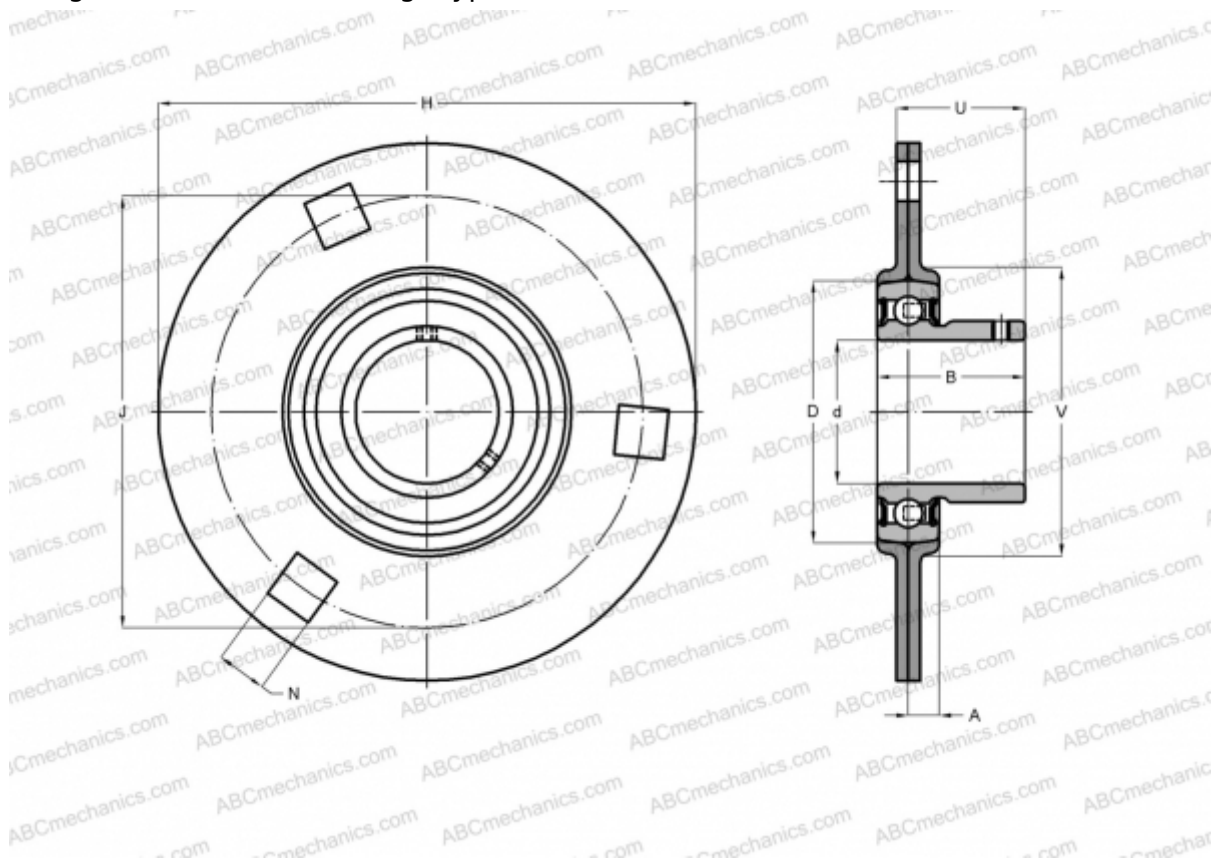


RAY30 INA

Ball bearing units

TYPE: Housing units, Three/four-bolt flanged housing units, Sheet steel housing, Radial insert ball bearing with grub screws in inner ring, Type RAY (INA)



Technical specification

DIMENSIONS, MM

d	30,000
D	62,000
B	30,000
H	112,700
A	8,700
J	90,500
N	10,500
U	23,500
V	71,000

WEIGHT, KG 0,450

Bearing AY30-NPP-B
Housing FLAN62-MSB x

2

MANUFACTURER

[INA](#)

CALCULATION DATA

Basic dynamic load rating, C	19,500 kN
Basic static load rating, Co	11,300 kN