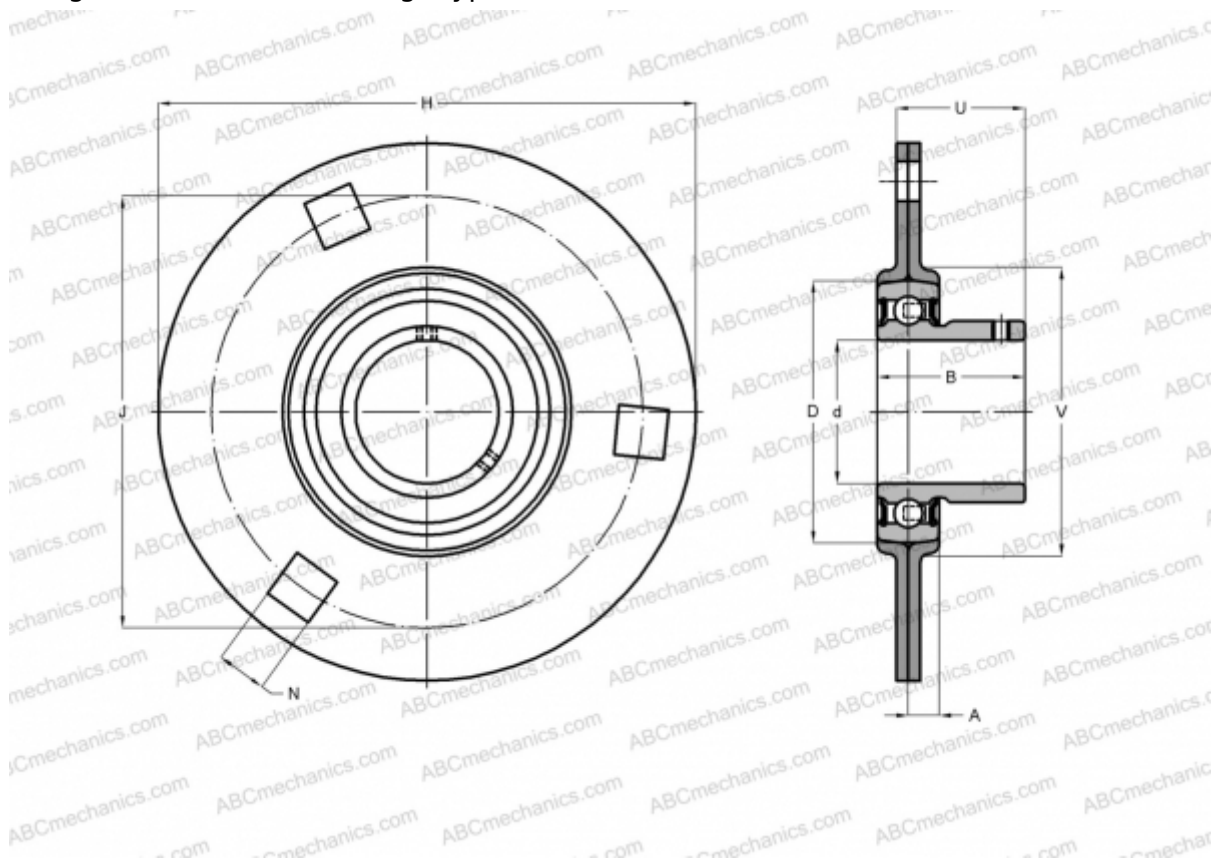


## RAY35 INA

Ball bearing units

TYPE: Housing units, Three/four-bolt flanged housing units, Sheet steel housing, Radial insert ball bearing with grub screws in inner ring, Type RAY (INA)



### Technical specification

#### DIMENSIONS, MM

d	35,000
D	72,000
B	35,000
H	122,000
A	9,500
J	100,000
N	10,500
U	28,000
V	81,000

**WEIGHT, KG** 0,780

Bearing	GAY35-NPP-B
Housing	FLAN72-MSB x

#### MANUFACTURER

[INA](#)

#### CALCULATION DATA

Basic dynamic load rating, C	25,500 kN
Basic static load rating, Co	15,300 kN