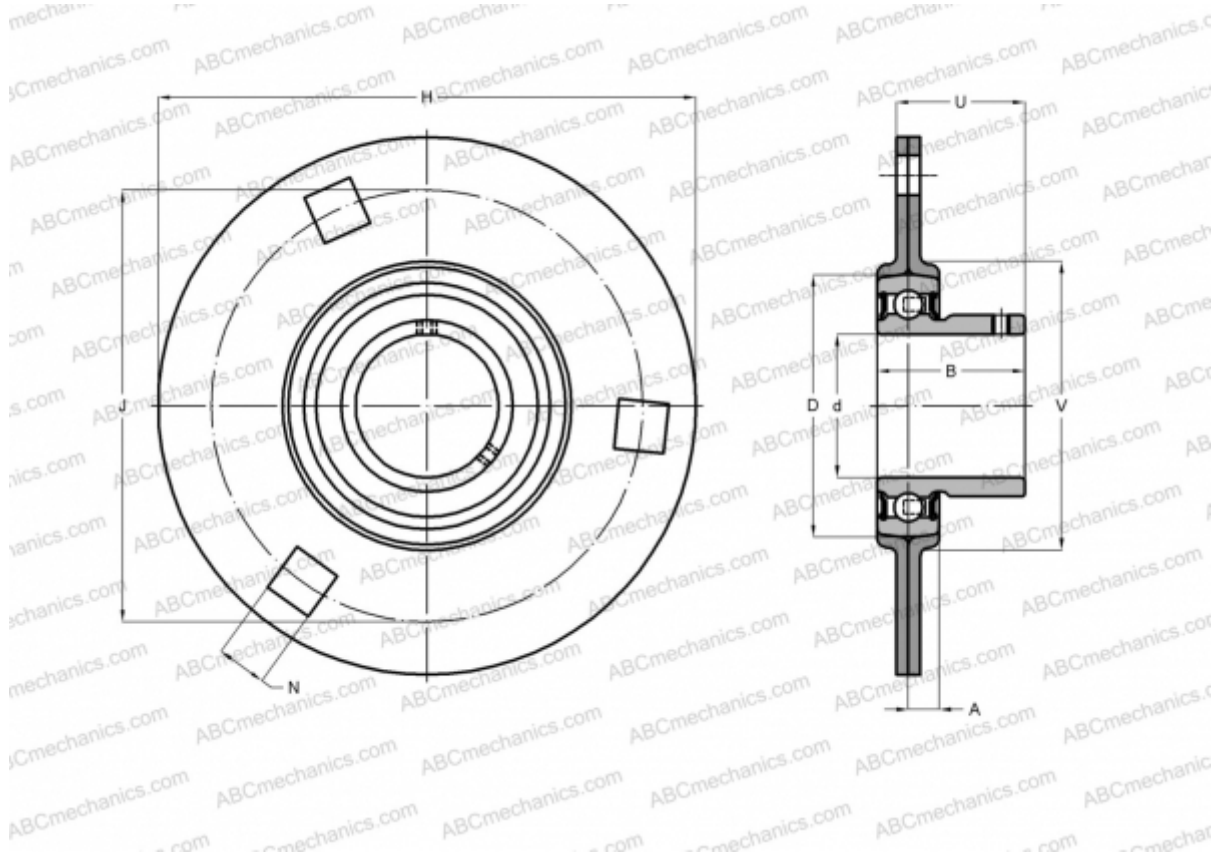


RAY50 INA

Ball bearing units

TYPE: Housing units, Three/four-bolt flanged housing units, Sheet steel housing, Radial insert ball bearing with grub screws in inner ring, Type RAY (INA)



Technical specification

DIMENSIONS, MM

d	50,000
D	90,000
B	43,000
H	155,500
A	11,100
J	127,000
N	13,500
U	36,000
V	100,000

WEIGHT, KG 1,680

Bearing	GAY50-NPP-B
Housing	FLAN90-MSB x

2

MANUFACTURER

[INA](#)

CALCULATION DATA

Basic dynamic load rating, C	35,000 kN
Basic static load rating, Co	23,200 kN