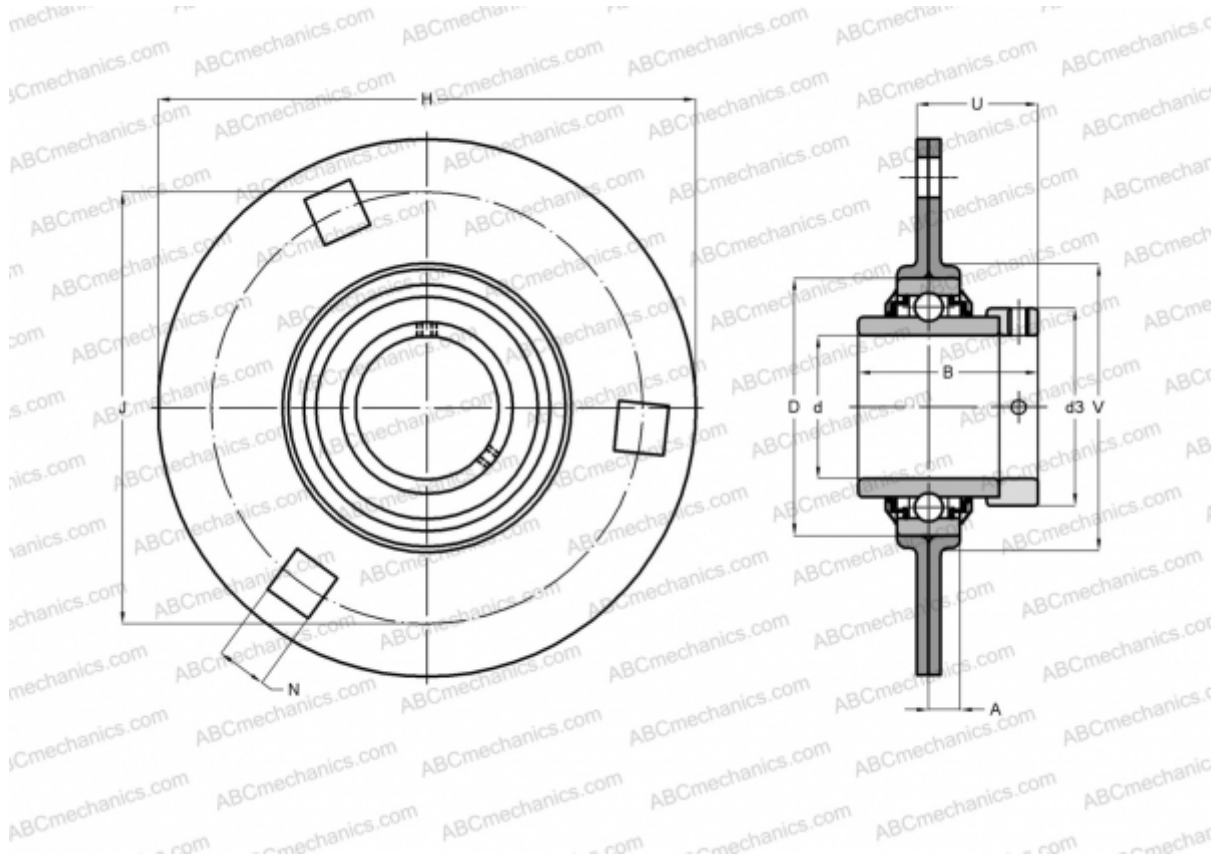


RRY20-VA INA

Ball bearing units

TYPE: Housing units, Three/four-bolt flanged housing units, Sheet steel housing, Radial insert ball bearing with grub screws in inner ring, Anti-corrosion protection, without relubrication facility, type RRY..-VA (INA)



Technical specification

DIMENSIONS, MM

| | |
|---|--------|
| d | 20,000 |
| D | 47,000 |
| B | 31,000 |
| H | 90,500 |
| A | 8,000 |
| J | 71,500 |
| N | 8,700 |
| U | 20,300 |
| V | 55,000 |

WEIGHT, KG

0,340

| | |
|---------|-----------------------|
| Bearing | GYE20-KRR-B- |
| Housing | FLAN47-MSB- VA x 2 |

MANUFACTURER

[INA](#)

CALCULATION DATA

| | |
|------------------------------|-----------|
| Basic dynamic load rating, C | 12,800 kN |
| Basic static load rating, Co | 6,600 kN |