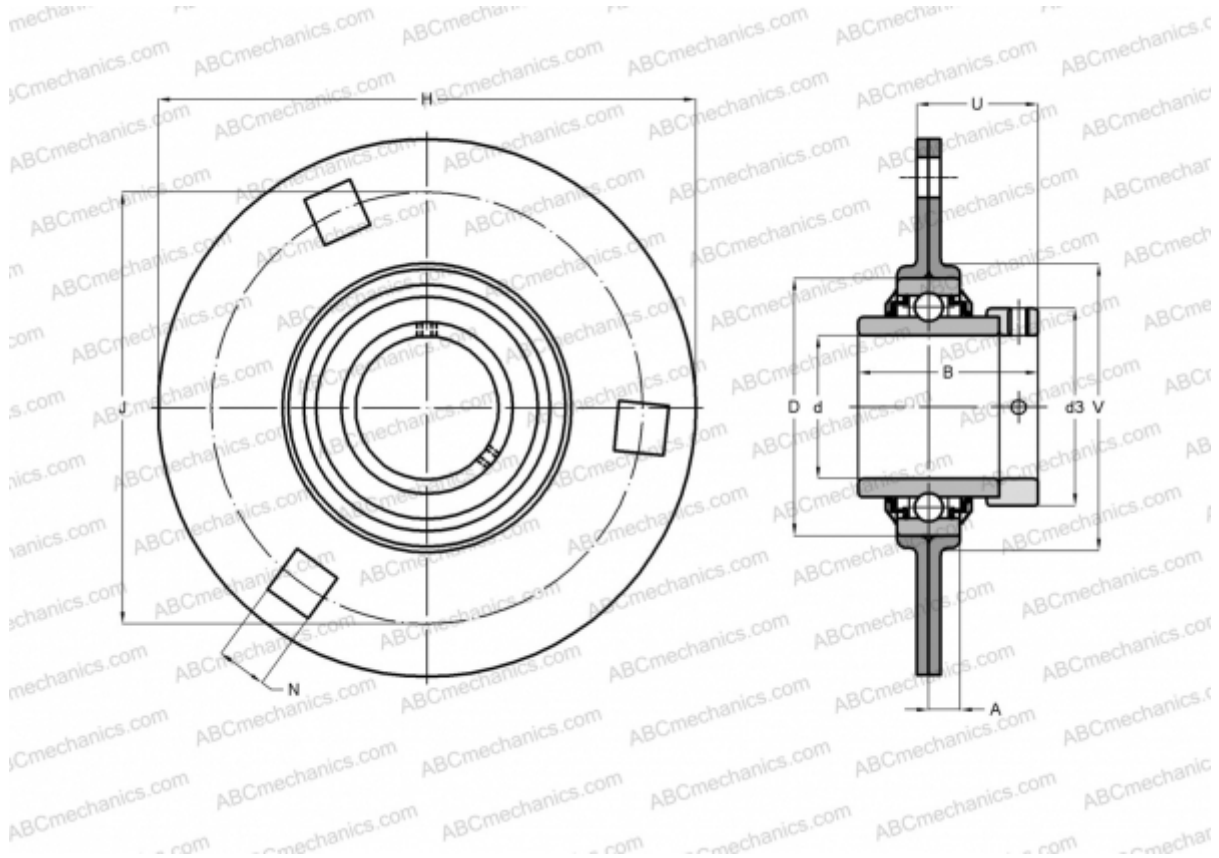


RRY30-VA INA

Ball bearing units

TYPE: Housing units, Three/four-bolt flanged housing units, Sheet steel housing, Radial insert ball bearing with grub screws in inner ring, Anti-corrosion protection, without relubrication facility, type RRY..-VA (INA)



Technical specification

DIMENSIONS, MM

d	30,000
D	62,000
B	38,100
H	112,700
A	9,000
J	90,500
N	10,500
U	24,700
V	71,000

WEIGHT, KG 0,630

Bearing GYE30-KRR-B-
Housing FLAN62-MSB-
VA x 2

MANUFACTURER

[INA](#)

CALCULATION DATA

Basic dynamic load rating, C	19,500 kN
Basic static load rating, Co	11,300 kN