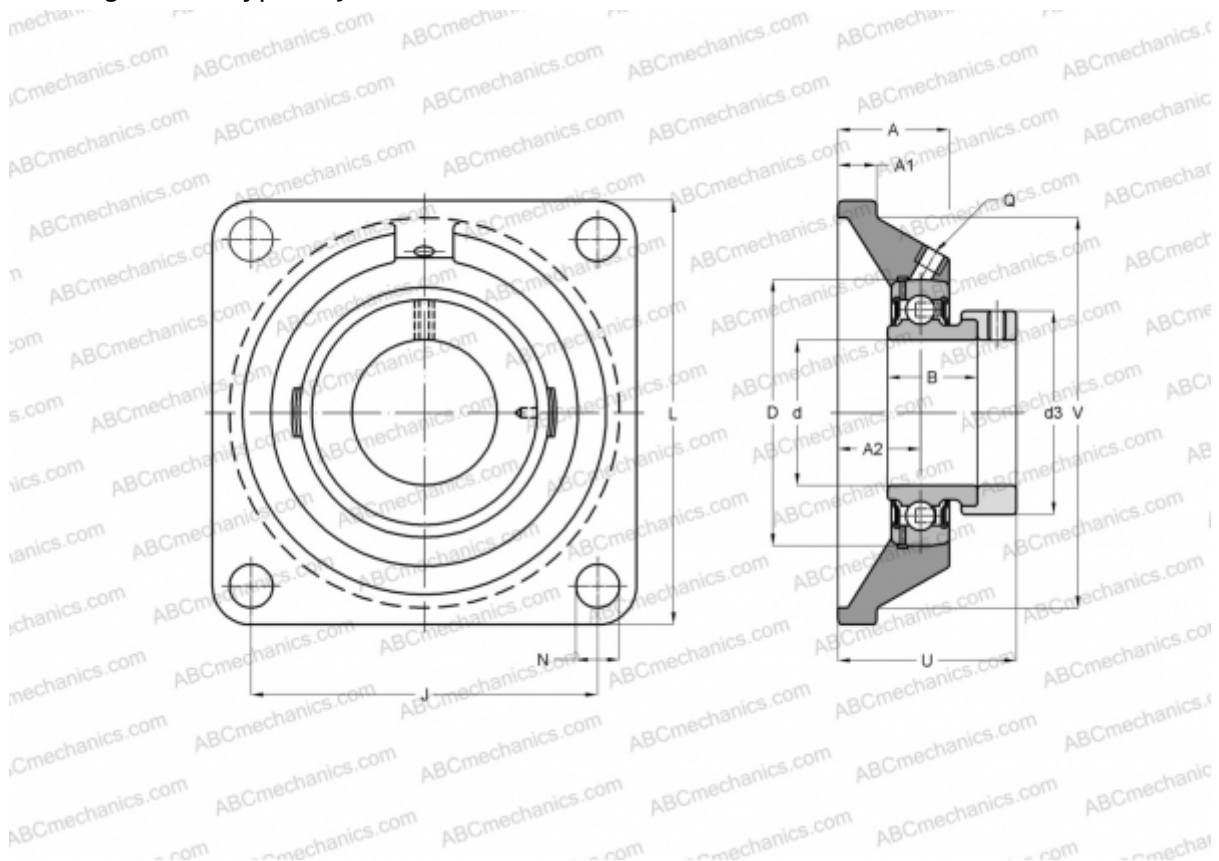


PCJ35-N-FA125 INA

Ball bearing units

TYPE: Housing units, Four-bolt flanged housing units, Cast iron housing, Radial insert ball bearing with eccentric locking collar, Type PCJ (INA), coated with CORROTECT



Technical specification

DIMENSIONS, MM

| | |
|----|---------|
| d | 35,000 |
| D | 72,000 |
| B | 39,000 |
| L | 118,000 |
| A | 30,500 |
| J | 92,000 |
| A1 | 12,500 |
| A2 | 21,000 |
| N | 14,000 |
| d3 | 51,000 |
| U | 50,500 |
| V | 100,000 |
| Q | Rp1/8 |

| | |
|---------|---------------|
| Bearing | GRAE35-NPP-B- |
| Housing | GG.CJ07-N- |

FA125.1

MANUFACTURER

[INA](#)

CALCULATION DATA

| | |
|------------------------------|-----------|
| Basic dynamic load rating, C | 25,500 kN |
| Basic static load rating, Co | 15,300 kN |

WEIGHT, KG 1,460