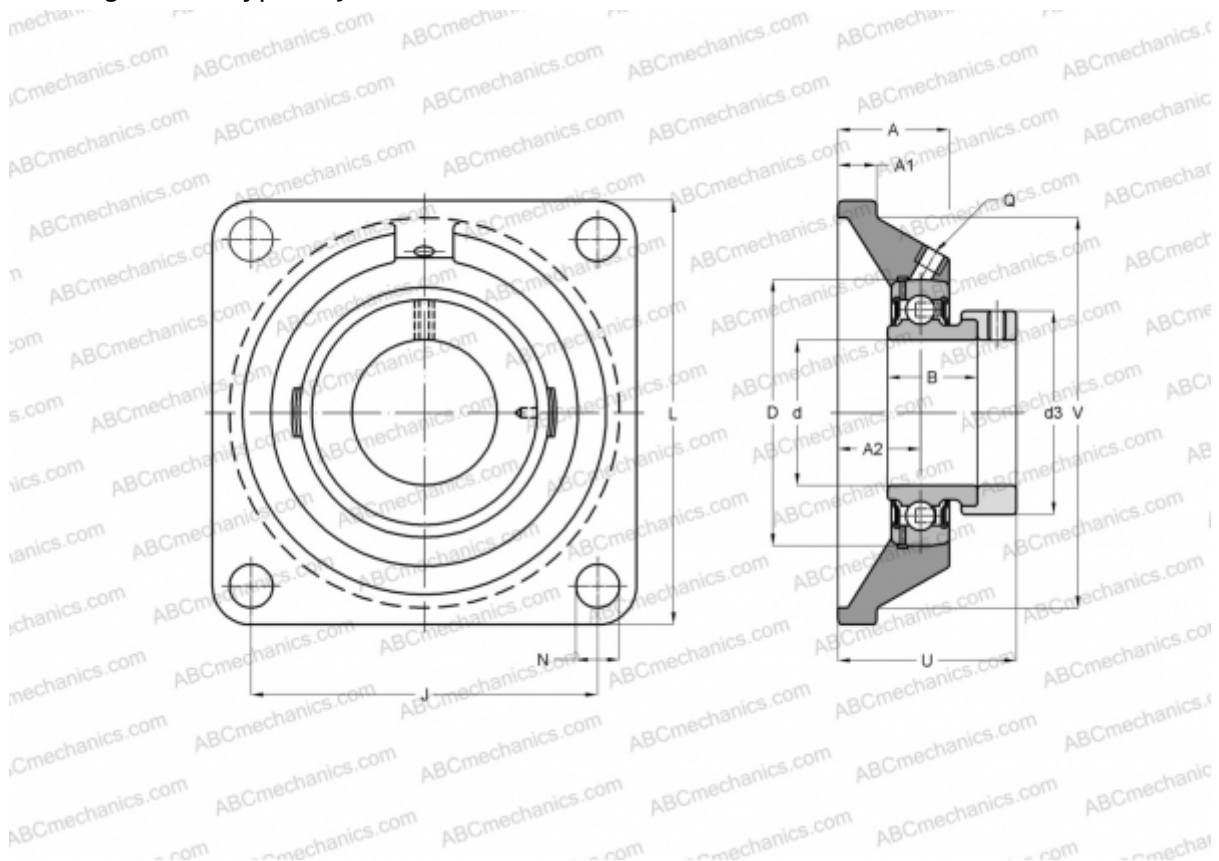


PCJ45-FA125 INA

Ball bearing units

TYPE: Housing units, Four-bolt flanged housing units, Cast iron housing, Radial insert ball bearing with eccentric locking collar, Type PCJ (INA), coated with CORROTECT



Technical specification

DIMENSIONS, MM

d	45,000
D	85,000
B	43,800
L	137,000
A	35,000
J	105,000
A1	13,000
A2	24,000
N	14,000
d3	63,000
U	56,700
V	116,000
Q	Rp1/8

WEIGHT, KG 2,220

Bearing GRAE45-NPP-B-
Housing GG.CJ09-

FA125.1
[INA](#)

MANUFACTURER

CALCULATION DATA

Basic dynamic load rating, C 32,500 kN
Basic static load rating, Co 20,400 kN