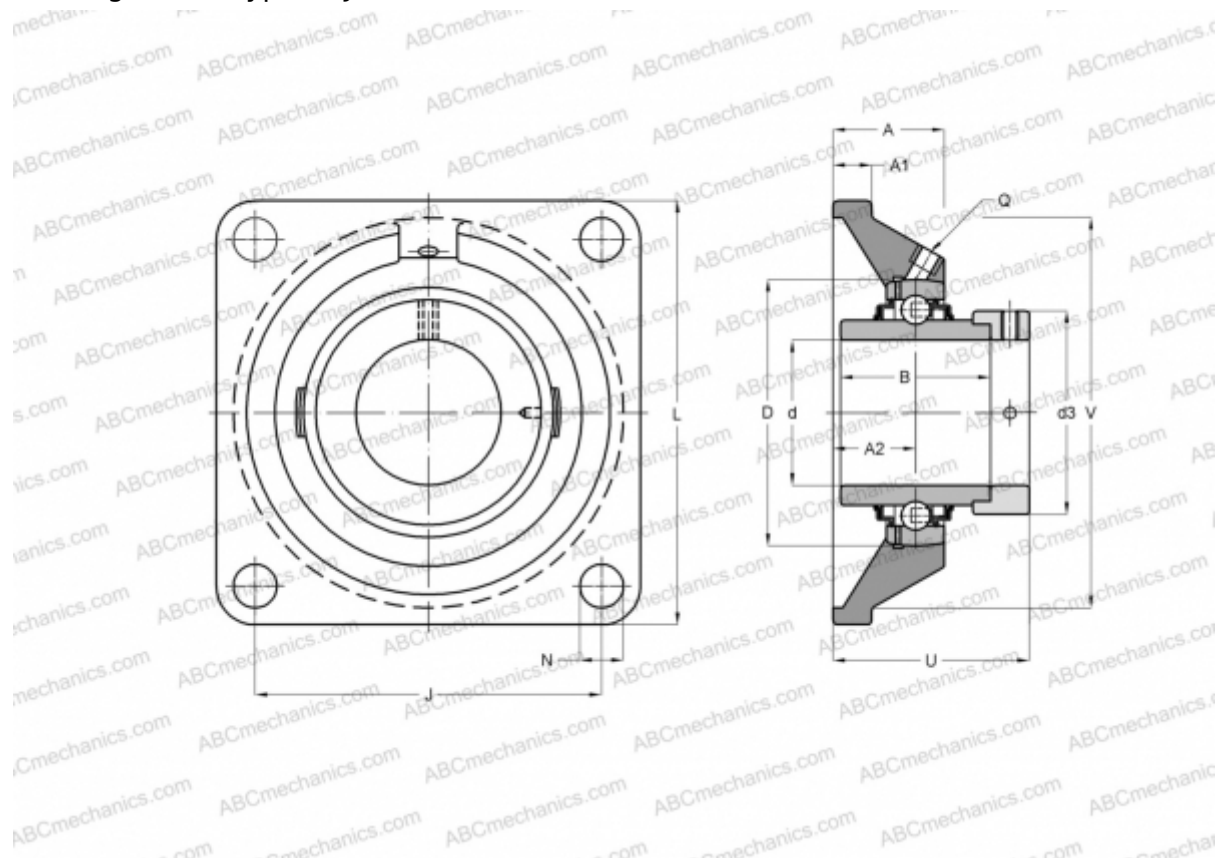


RCJ40-N INA

Ball bearing units

TYPE: Housing units, Four-bolt flanged housing units, Cast iron housing, Radial insert ball bearing with eccentric locking collar, Type RCJ (INA)



Technical specification

DIMENSIONS, MM

d	40,000
D	80,000
B	56,500
L	130,000
A	34,500
J	101,500
A1	13,000
A2	24,000
N	14,000
d3	58,000
U	59,100
V	110,000
Q	Rp1/8

Bearing	GE40-KRR-B
Housing	GG.CJ08-N

MANUFACTURER

[INA](#)

CALCULATION DATA

Basic dynamic load rating, C	32,500 kN
Basic static load rating, Co	19,800 kN

WEIGHT, KG	2,020
------------	-------