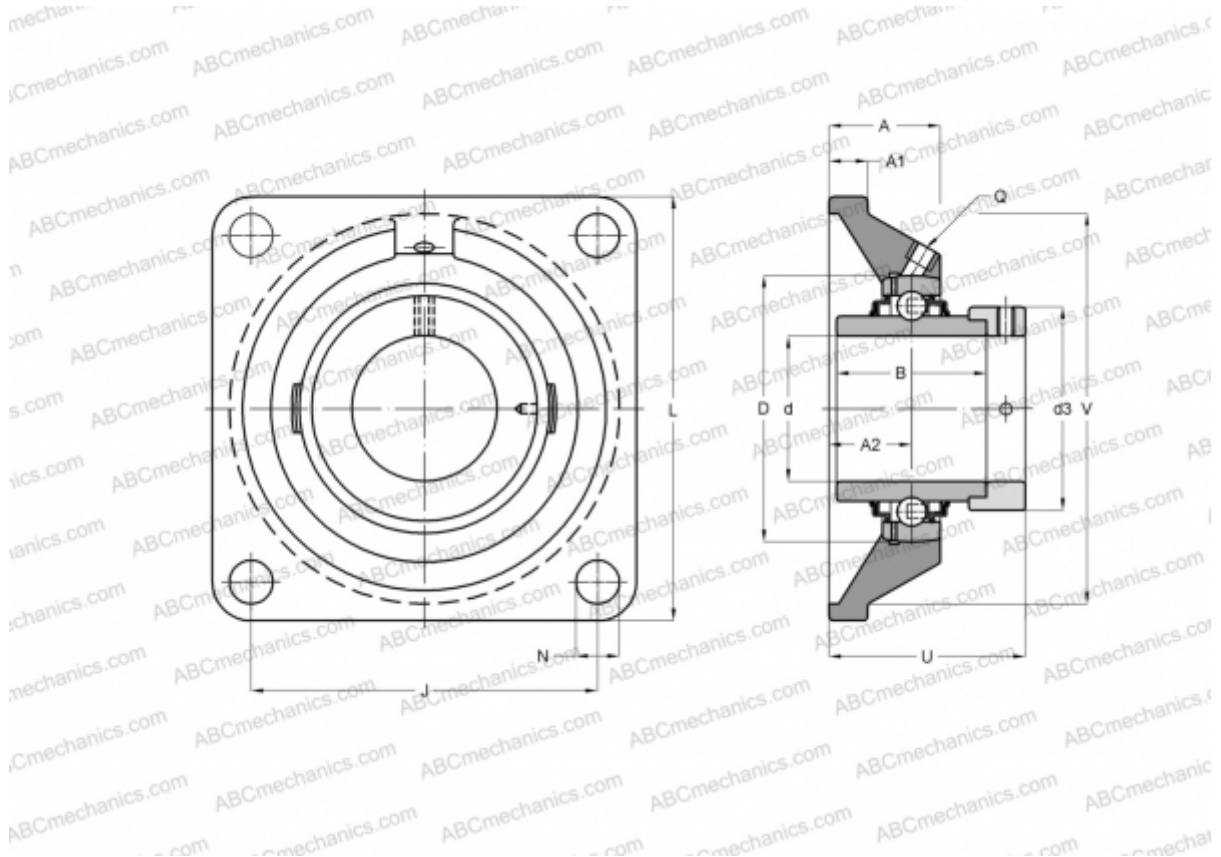


RCJ80 INA

Ball bearing units

TYPE: Housing units, Four-bolt flanged housing units, Cast iron housing, Radial insert ball bearing with eccentric locking collar, Type RCJ (INA)



Technical specification

DIMENSIONS, MM

| | |
|----|---------|
| d | 80,000 |
| D | 140,000 |
| B | 70,700 |
| L | 197,000 |
| A | 55,800 |
| J | 153,000 |
| A1 | 20,000 |
| A2 | 41,300 |
| N | 23,000 |
| d3 | 108,000 |
| U | 88,900 |
| V | 180,000 |
| Q | Rp1/8 |

| | |
|---------|------------|
| Bearing | GE80-KRR-B |
| Housing | GG.CJ16 |

MANUFACTURER

[INA](#)

CALCULATION DATA

| | |
|------------------------------|-----------|
| Basic dynamic load rating, C | 72,000 kN |
| Basic static load rating, Co | 54,000 kN |

WEIGHT, KG 6,850