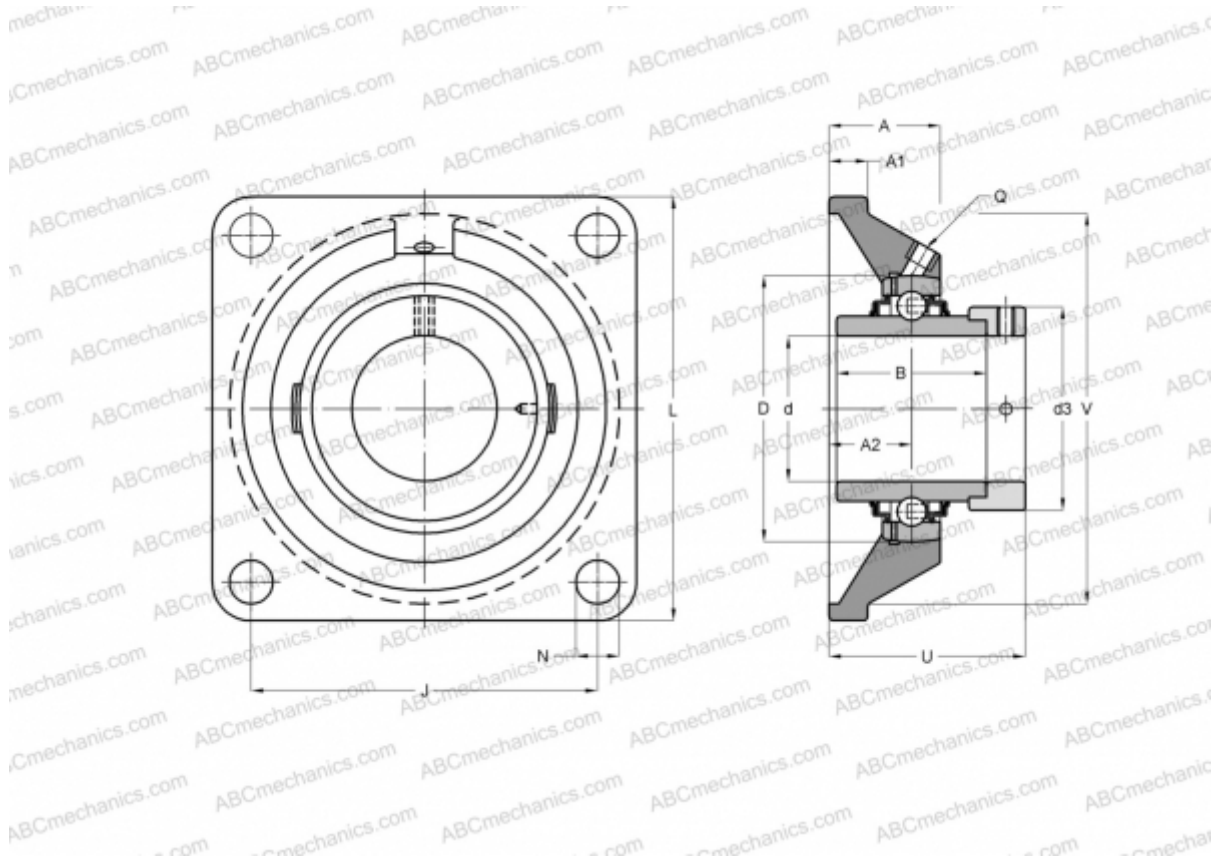


RCJ120 INA

Ball bearing units

TYPE: Housing units, Four-bolt flanged housing units, Cast iron housing, Radial insert ball bearing with eccentric locking collar, Type RCJ (INA)



Technical specification

DIMENSIONS, MM

d	120,000
D	215,000
B	81,000
L	305,000
A	51,000
J	240,000
A1	28,000
A2	31,000
N	30,000
d3	152,000
U	83,000
V	270,000
Q	Rp1/8

Bearing	GE120-KRR-B
Housing	GG.CJ24

MANUFACTURER

[INA](#)

CALCULATION DATA

Basic dynamic load rating, C	155,000 kN
Basic static load rating, Co	131,000 kN

WEIGHT, KG 18,000