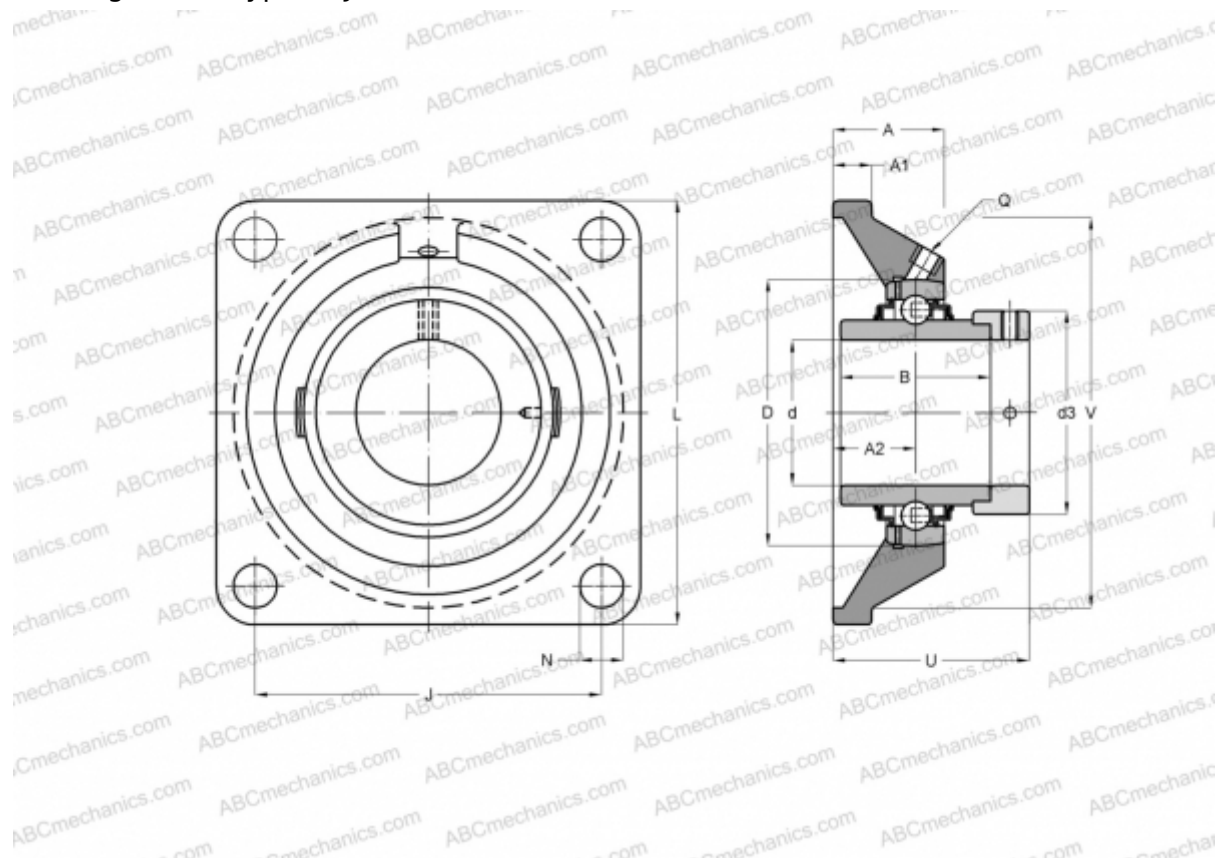


RCJ25-N-FA125 INA

Ball bearing units

TYPE: Housing units, Four-bolt flanged housing units, Cast iron housing, Radial insert ball bearing with eccentric locking collar, Type RCJ (INA), coated with CORROTECT



Technical specification

DIMENSIONS, MM

| | |
|----|--------|
| d | 25,000 |
| D | 52,000 |
| B | 44,500 |
| L | 95,000 |
| A | 29,000 |
| J | 70,000 |
| A1 | 11,000 |
| A2 | 19,000 |
| N | 11,500 |
| d3 | 37,500 |
| U | 46,000 |
| V | 74,000 |
| Q | Rp1/8 |

| | |
|---------|-------------|
| Bearing | GE25-KRR-B- |
| Housing | GG.CJ05-N- |

FA125.1
[INA](#)

MANUFACTURER

CALCULATION DATA

| | |
|------------------------------|-----------|
| Basic dynamic load rating, C | 14,000 kN |
| Basic static load rating, Co | 7,800 kN |

WEIGHT, KG 0,820