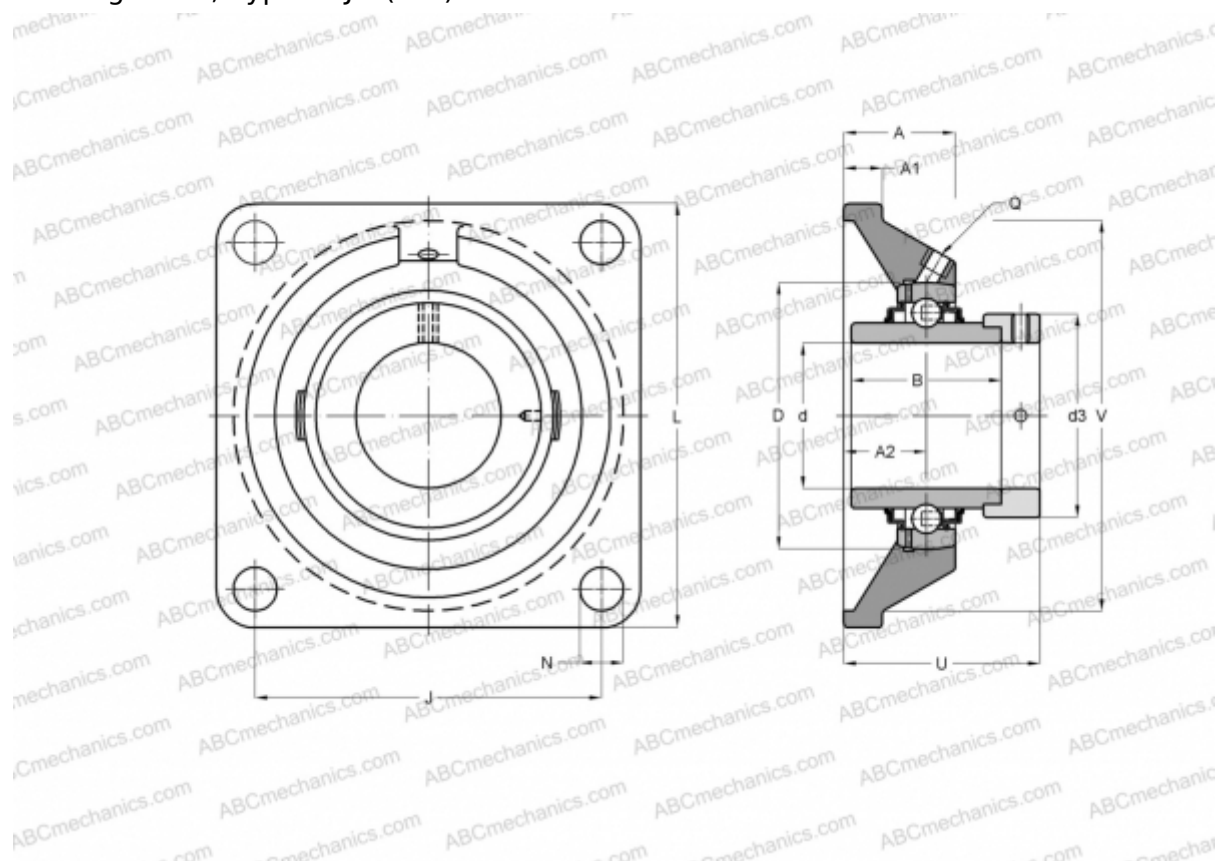


## RCJ035 INA

Ball bearing units

TYPE: Housing units, Four-bolt flanged housing units, Cast iron housing, Radial insert ball bearing with eccentric locking collar, Type RCJO (INA)



### Technical specification

#### DIMENSIONS, MM

d	35,000
D	80,000
B	51,600
L	135,000
A	31,000
J	100,000
A1	16,000
A2	20,000
N	19,000
d3	55,000
U	53,400
V	104,000
Q	Rp1/8

Bearing	GNE35-KRR-B
Housing	GG.CJ007

#### MANUFACTURER

[INA](#)

#### CALCULATION DATA

Basic dynamic load rating, C	36,500 kN
Basic static load rating, Co	20,900 kN

**WEIGHT, KG** 2,550