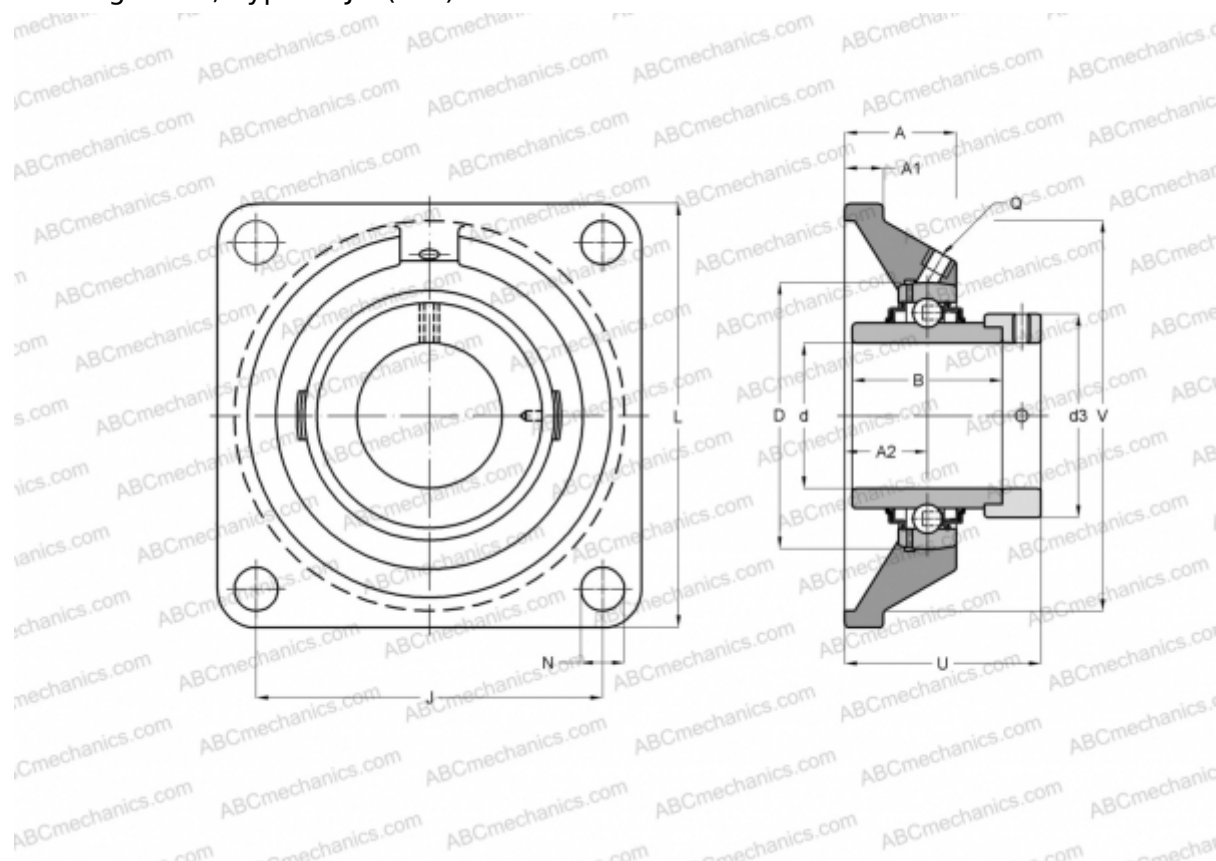


RCJO50 INA

Ball bearing units

TYPE: Housing units, Four-bolt flanged housing units, Cast iron housing, Radial insert ball bearing with eccentric locking collar, Type RCJO (INA)



Technical specification

DIMENSIONS, MM

d	50,000
D	110,000
B	66,800
L	175,000
A	42,500
J	132,000
A1	19,000
A2	28,000
N	23,000
d3	75,800
U	70,100
V	144,000
Q	Rp1/8

Bearing	GNE50-KRR-B
Housing	GG.CJO10

MANUFACTURER

[INA](#)

CALCULATION DATA

Basic dynamic load rating, C	62,000 kN
Basic static load rating, Co	38,000 kN

WEIGHT, KG	4,900
------------	-------